

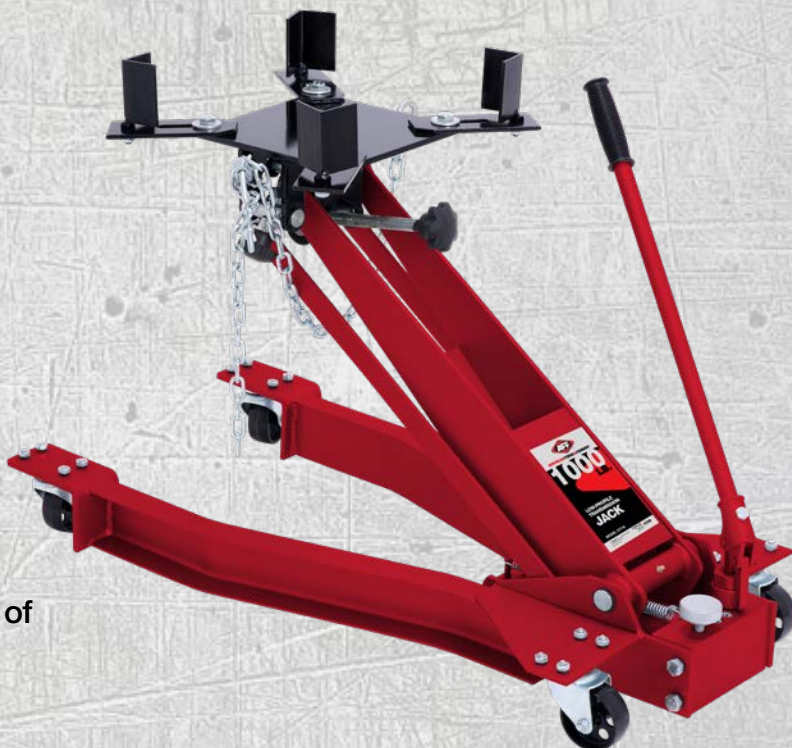


AMERICAN FORGE & FOUNDRY

1,000 LBS CAPACITY LOW PROFILE TRANSMISSION JACK

MODEL 3171A

- Ideal for light to medium weight truck transmissions
- Low profile style provides superior clearance
- Wide chassis design for efficient load distribution and increased stability
- 4-way tilting head allows easy positioning for installation and removal of transmissions
- Fully adjustable universal saddle with adjustable arms for easy positioning
- Long handle pivots 360° around the pump



MODEL	LOW HEIGHT	HIGH HEIGHT	FRONT TILT	REAR TILT	SIDE TILT	HEAD WIDTH	HEAD LENGTH	WEIGHT
3171A	6.875"	31.75"	15°	12°	15°	7"-13"	8"-11"	119 lbs

UPC: 874015007312

300 Corporate Drive, Elgin, IL 60123
Phone: 800-323-7402 Fax: 847-717-8419
affjaxx.com surewerx.com/usa

orders.usa@surewerx.com

