



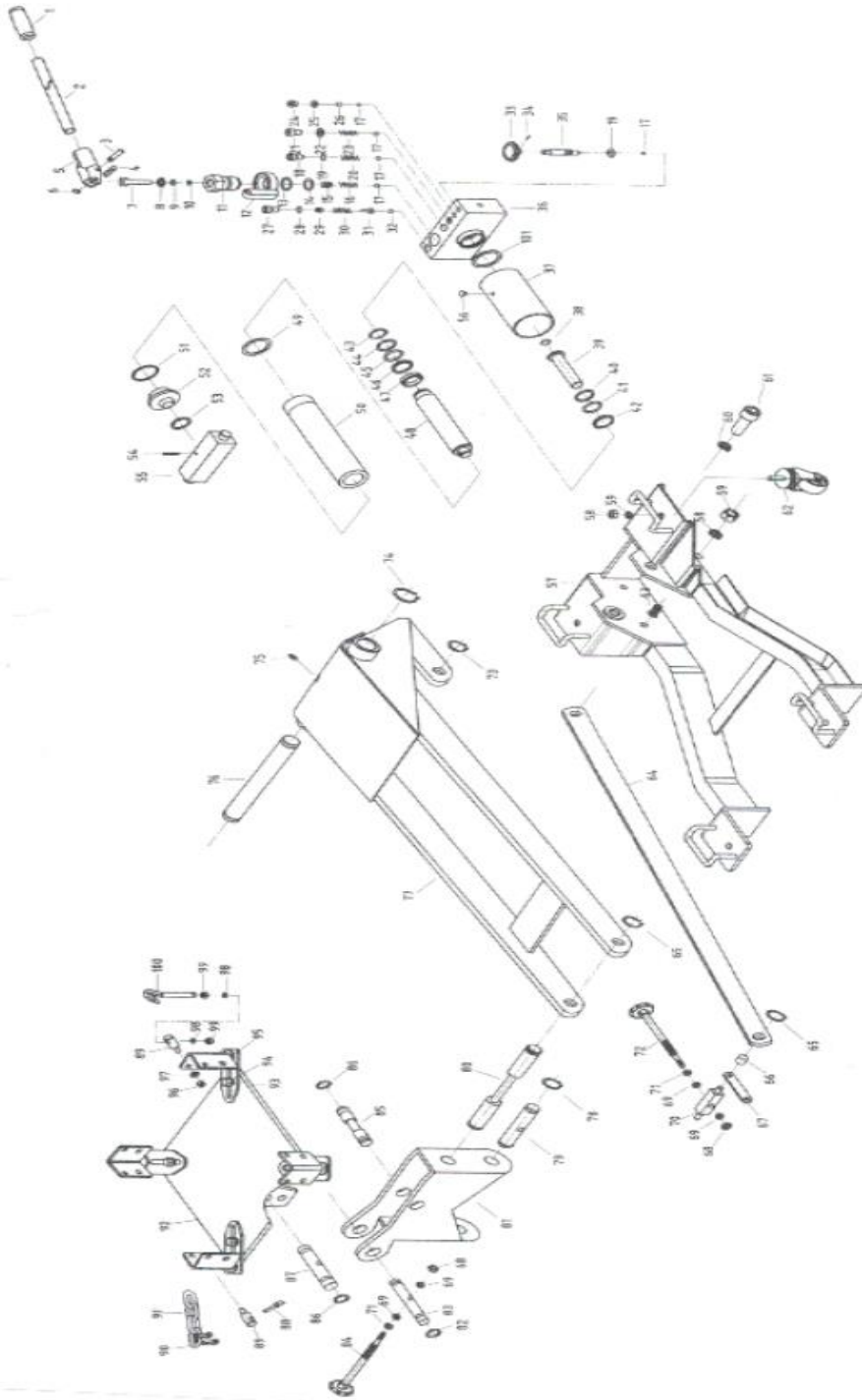
# MODEL 3172A 2000LBS TRANSMISSION JACK

PART ORDER NUMBER	KIT DESCRIPTION	KIT INCLUDES			
		REF. #	DESCRIPTION		
3172A-2	HANDLE	1	HANDLE GRIP		
		2	HANDLE		
3172A-55	CONNECTING ROD	55	CONNECTING ROD		
3172A-62	WHEEL	62	WHEEL		
3172A-72	FWD / BACK TILT ASSEMBLY	68	NUT M10		
		69	PIN QTY 2		
		70	CONNECTION ROD		
		71	WASHER		
		72	HANDLE ASSEMBLY		
3172A-84	SIDE/SIDE TILT ASSEMBLY	68	NUT		
		69	PIN QTY2		
		71	WASHER		
		82	RETAINING RING QTY 2		
		83	LEFT AND RIGHT NUT SHAFT		
		84	HANDLE ASSEMBLY		
		86	RETANING RING QTY 2		
		87	ADJUSTING SHAFT		
3172A-36	POWER UNIT	36	POWER UNIT		
3172A-RK	REPAIR KIT		REPAIR KIT		
3172A-SADDLE	COMPLETE		COMPLETE		
	SADDLE		SADDLE		
	ASSMBLY		ASSMBLY		
3172A-HDWKT	SADDLE	88	BOLT		
	HARDWARE KIT	89	SCREW QTY 2		
		90	HOOK QTY 4		
			91	CHAIN QTY 2	
			93	BOLT M12X20	
			94	WASHER M12 QTY 4	
			95	BRACKET QTY 4	
			96	NUT M10 QTY 4	
			97	WASHER M10 QTY 4	
			98	NUT M8 QTY 4	
		99	WASHER M8 QTY 4		
		100	HOOK QTY 4		
3172A-7	PUMP KIT	7	PUMP PLUG		
		8	COPPER WASHER		
		9	WASHER		
		10	O-RING		
		11	PUMP		
		13	O-RING		
		14	COPPER WASHER		



# MODEL 3172A 2000LBS TRANSMISSION JACK

3172A-35	RELEASE	17	STEEL BALL	
	KIT	19	O-RING	
		33	HANDLE	
		34	PIN 5X24	
		35	RELEASE ROD	





# MODEL 3172A 2000LBS TRANSMISSION JACK

