



MODEL 3180 - 4,400 lb. HEAVY-DUTY TRANSMISSION JACK

UPDATED 09-05

PART		KIT INCLUDES	
ORDER NUMBER	KIT DESCRIPTION	REF. #	DESCRIPTION
3180KHU	HYDRAULIC UNIT	9	COMPLETE HYDRAULIC UNIT
3180K06A	CASTER ASSEMBLY	4	NUT 4ea REQUIRED
		5	WASHER 4ea REQUIRED
		6	CASTER
		7	WASHER 4ea REQUIRED
		8	BOLT 4ea REQUIRED
3180K14A	RELEASE VALVE	12	WASHER
		13	O-RING
		14	RELEASE VALVE LOCK NUT
		15	O-RING
		16	VALVE ROD
		17	PIN
		18	HANDLE WHEEL
3180KPK	PUMP KIT	13	O-RING
		32	WASHER
		33	ROTATING LINK
		34	PUMP PLUNGER
		35	PLUNGER SLEVE
		36	BACK UP RING
		37	OIL SEAL
3180KHK	HANDLE KIT	38	PLUNGER LINK 2ea REQUIRED
		39	PLUNGER CONNECTING RING 2ea REQUIRED
		40	"C" CLIP 4ea REQUIRED
		41	HANDLE
3180K74K	CONNECTING BOX KIT	67	TRACK RING 4ea REQUIRED
		68	ORIENTED NUT
		69	SET SCREW 2 ea REQUIRED
		70	BEARING 2ea REQUIRED
		71	PIN
		72	ORIENTED NUT
		73	THREADED AXLE
		74	LONG ADJUSTING SCREW
3180K80K	HEAD UNIT HARDWARE KIT	80	NUT 4ea REQUIRED
		81	WASHER 4ea REQUIRED
		82	BOLT 2ea REQUIRED
		83	WASHER 2ea REQUIRED
		84	STAND 2ea REQUIRED
		85	ADJUSTING SCREW 4ea REQUIRED
		86	WASHER 2ea REQUIRED
		87	NUT 2ea REQUIRED
		88	CHAIN 2ea REQUIRED
		89	STAND 2ea REQUIRED

*** ONLY PARTS WITH A "PART ORDER NUMBER" ARE AVAILABLE FOR SALE.**

DO NOT COPY OR DISTRIBUTE THIS MATERIAL WITHOUT PERMISSION OF AFF, INC.



MODEL 3180 - 4,400 lb. HEAVY-DUTY TRANSMISSION JACK

UPDATED 09-05

PART		KIT INCLUDES	
ORDER NUMBER	KIT DESCRIPTION	REF. #	DESCRIPTION
3180KRK	REPAIR KIT	12	COPPER SEAL WASHER
		13	O-RING
		15	O-RING
		19	STEEL BALL
		20	SPRING BACK UP
		21	SPRING
		24	O-RING
		26	STEEL BALL
		27	STEEL BALL
		28	SPRING
		30	O-RING
		31	BACK UP
		32	COPPER SEAL WASHER
		36	BACK UP RING
		37	OIL SEAL
		43	O-RING
		44	RETAINER
		45	PROTECTING RING
		46	PISTON PACKING
		48	GUIDE RING
48	O-RING		
50	O-RING		
51	OIL SEAL		

NOT AVAILABLE		1	FRAME
NOT AVAILABLE		2	WASHER
NOT AVAILABLE		3	NUT
NOT AVAILABLE		10	LOCK WASHER 2ea REQUIRED
NOT AVAILABLE		11	BOLT
NOT AVAILABLE		22	SPRING BACK UP
NOT AVAILABLE		23	RETAINER
NOT AVAILABLE		25	PLUG
NOT AVAILABLE		29	CAP SCREW
NOT AVAILABLE		31	PLUG
NOT AVAILABLE		42	AIR VENT PLUG/OIL FILL
NOT AVAILABLE		47	PISTON ROD
NOT AVAILABLE		49	TANK NUT
NOT AVAILABLE		52	PISTON CONNECTING JOINT
NOT AVAILABLE		53	PIN
NOT AVAILABLE		54	TRACK RING 2ea REQUIRED
NOT AVAILABLE		56	SCREW
NOT AVAILABLE		57	TRACK RING 2ea REQUIRED
NOT AVAILABLE		58	CONNECTING PLATE
NOT AVAILABLE		59	PIN
NOT AVAILABLE		60	PIN
NOT AVAILABLE		61	ARM PIN
NOT AVAILABLE		62	TRACK RING 2ea REQUIRED
NOT AVAILABLE		63	ARM
NOT AVAILABLE		64	LINK ROD PIN

*** ONLY PARTS WITH A "PART ORDER NUMBER" ARE AVAILABLE FOR SALE.**

DO NOT COPY OR DISTRIBUTE THIS MATERIAL WITHOUT PERMISSION OF AFF, INC.



MODEL 3180 - 4,400 lb. HEAVY-DUTY TRANSMISSION JACK

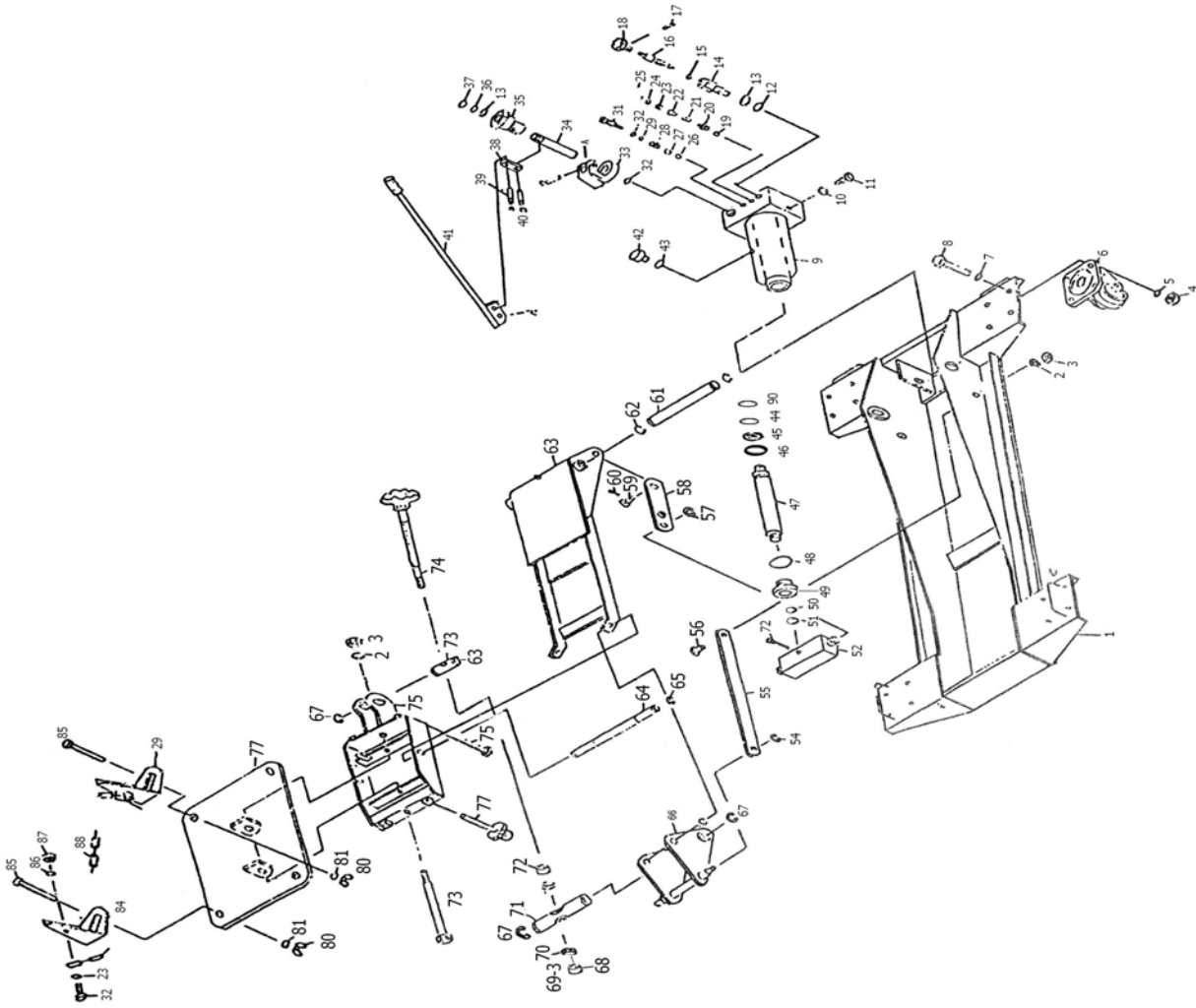
UPDATED 09-05

PART ORDER NUMBER	KIT DESCRIPTION	KIT INCLUDES	
		REF. #	DESCRIPTION
NOT AVAILABLE		65	BACK UP RING
NOT AVAILABLE		66	LIFT PLATFORM STAND
NOT AVAILABLE		67	BACK UP RING
3180-75		75	STAND
NOT AVAILABLE		76	BOLT
NOT AVAILABLE		77	ADJUSTING SCREW
3180-78		78	BOLT
NOT AVAILABLE		79	LIFT PLATFORM

*** ONLY PARTS WITH A "PART ORDER NUMBER" ARE AVAILABLE FOR SALE.**

DO NOT COPY OR DISTRIBUTE THIS MATERIAL WITHOUT PERMISSION OF AFF, INC.

**MODEL 3180 - 4,400 LB. HEAVY-DUTY TRANSMISSION JACK
EXPLODED VIEW**



DO NOT COPY OR DISTRIBUTE THIS MATERIAL WITHOUT PERMISSION OF AFF, INC.