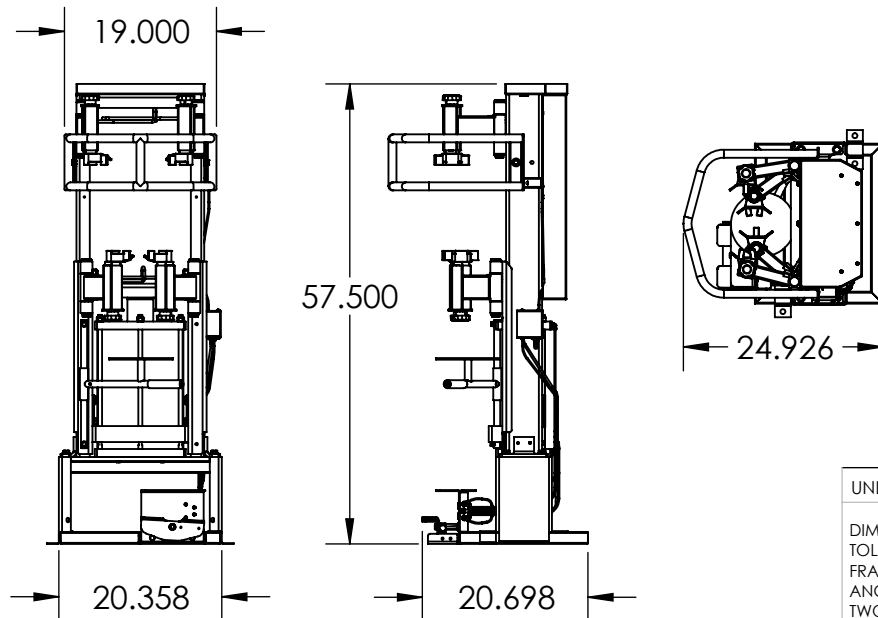


ITEM NO.	PART NUMBER	DESCRIPTION	QTY
1	1030	QUICK DISCONNECT 1/4 NPT	1
2	108-60	CHECK VALVE 1/4 NPT	1
3	1345	1/4 NPT-3/4-16 THD	1
4	1347	EXTERNAL BRASS T - 3X 1/4 NPT	1
5	5779K147	5/32 PUSH x 1/4 NPT ELBOW	5
6	5779K32	5/32 UNION TEE	3
7	8000-13	SINGLE FINGER CLAMP	2
8	8000-14	ADJUSTING SCREW	4
9	8000-6	TOP ADAPTOR CLAMP	2
10	8000-7	TWO FINGER CLAMP	2
11	BV-0450-8BN80	BLOCK VEE WIPER RING	4
12	DB-7000-359	FOOT VALVE ASSY	1
13	DB-8000-008	VERT SLIDE ASSY	1
14	DB-8000-009	VERT CHANNEL ASSY	1
15	DB-8000-014	PIN	4

ITEM NO.	PART NUMBER	DESCRIPTION	QTY
16	DB-8000-039	SAFETY CAGE	1
17	DB-8000-041	VALVE VENT	1
18	DB-8000-045	COVER REAR	1
19	DB-8000-046	TOOL TRAY	1
20	DB-8000-050	STRUT SUPPORT WELDMENT	1
21	DB-8000-060	COVER	1
22	DB-8000-064	PIVOT	4
23	DB-8000-065	ROLLER	4
24	DB-8000-067	ANGLE STOP	2
25	DB-8000-070	ADJUSTING KNOB	4
26	DB-8000-072	LOWER PIVOT ARM ASSY RH	1
27	DB-8000-073	LOWER PIVOT ARM ASSY LH	1
28	DB-8000-074	HOLD DOWN BRACKET	2
29	DB-8000-075	UPPER PIVOT ARM	1
30	DB-8000-076	UPPER PIVOT ARM	1
31	DB-8000-200	STAND, DB-8000-XL	1
32	F-1/4 X 1/4NPT L	.25 TUBE X .25NPT ELBOW	1
33	G-625-J	CYLINDER GASKET	4
34	SC-8000-001	DUAL CYLINDER BASE PLATE	1
35	SC-8000-002	DUAL CYLINDER TOP PLATE	1
36	SC-8000-003	PISTON HEAD, DUAL MOTION	2
37	SC-8000-004A	WELDMENT, SHAFT, DOUBLE CYLINDER	2
38	SC-8000-006	CYLINDER TUBE	2
39	SC-8000-007	STOP TUBE, DOUBLE CYLINDER	2
40	SC-8000-008	TIE ROD, DOUBLE CYLINDER	6
41	T-.156X16 K-NYL TUBE	5/32OD X 16" NYLON TUBE - BLACK	25 FT
42	T-.250 PU BLACK TUBE	.25 BLACK PARKER PLASTIC AIR LINE	6 FT
43	UCH22502750-312	NITRILE U CUP SEAL FOR Ø2.25 ROD	2
44	WR05000X500	WEAR RING	2



UNLESS OTHERWISE SPECIFIED:

DIMENSIONS ARE IN INCHES
TOLERANCES:
FRACTIONAL ± 1/32"
ANGLES: MACH ± .01° BEND ± 1°
TWO PLACE DECIMAL ± .03
THREE PLACE DECIMAL ± .025

INTERPRET GEOMETRIC TOLERANCING PER: ANSI Y14.5

MATERIAL **ASSY**

FINISH -

DO NOT SCALE DRAWING

	NAME	DATE
DRAWN	PJA	09/20/13
CHECKED		
ENG APPR.		
MFG APPR.		
Q.A.		



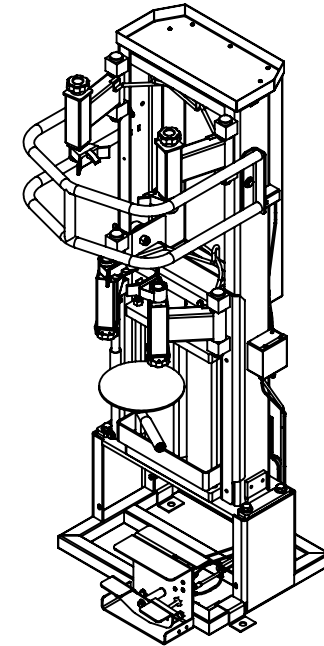
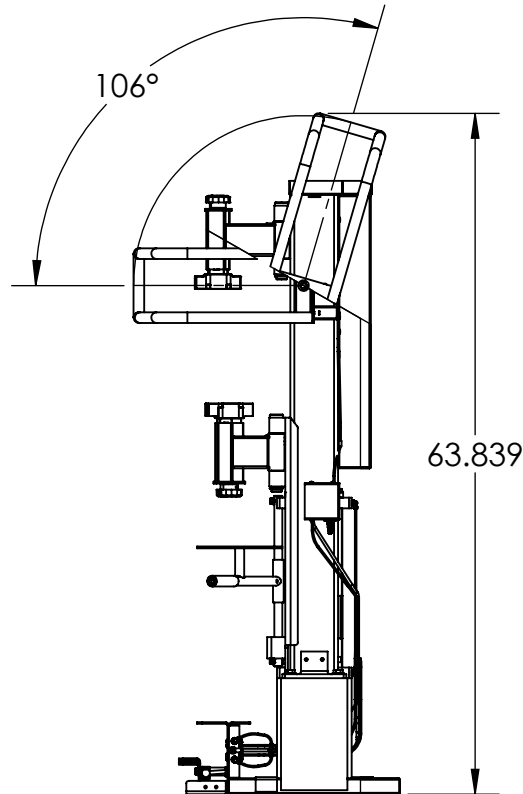
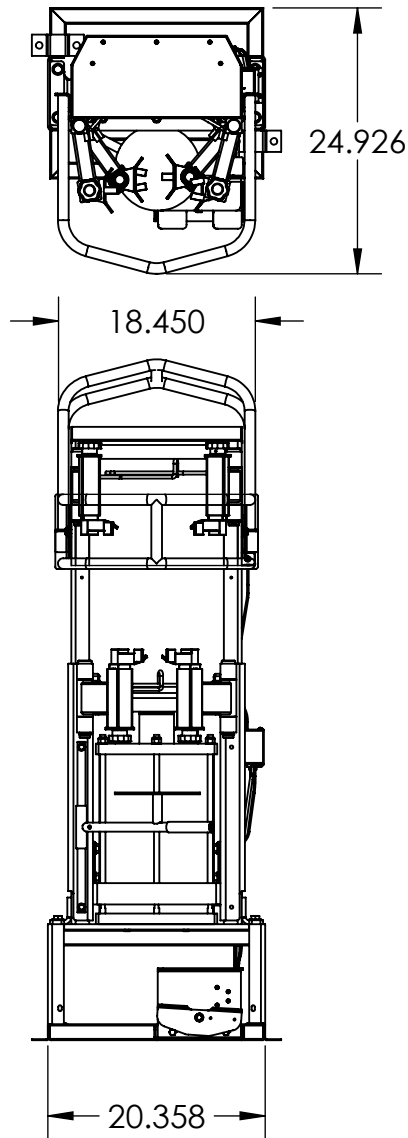
TITLE:
STRUT COMPRESSOR

PROPRIETARY AND CONFIDENTIAL
THE INFORMATION CONTAINED IN THIS DRAWING IS THE SOLE PROPERTY OF QSP. ANY REPRODUCTION IN PART OR AS A WHOLE WITHOUT THE WRITTEN PERMISSION OF QSP IS PROHIBITED.


SIZE	DWG. NO.	REV
A	DB-8000-XL	B

SCALE: 1:24 WEIGHT: 189.709 SHEET 1 OF 6

REV.	DESCRIPTION	DATE
B	CHANGED TO DOUBLE CYLINDER DESIGN	01/16/19
A	ADDED -075 & -076	12/20/13
REVISIONS		

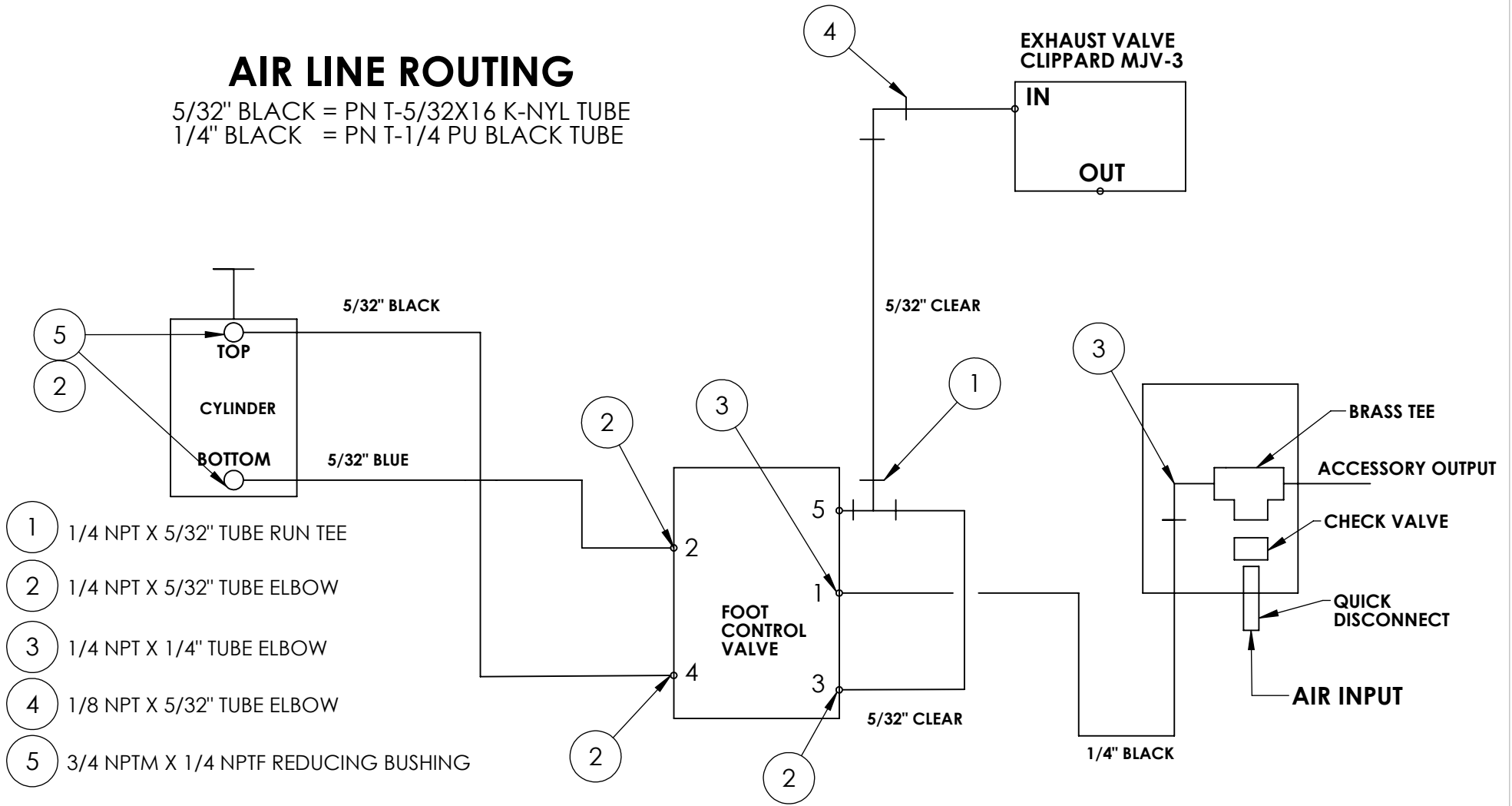


- NOTES:
1. TOTAL UNIT WEIGHT 250 POUNDS.
 2. AIR REQUIREMENTS:
80 PSI MIN, 120 PSI MAX. REGULATED.
 3. SUPPLIED WITH 2 HOLD DOWN BRACKETS.
 4. CYLINDER STROKE 9.5"
 5. WHEEL KIT OPTIONAL.

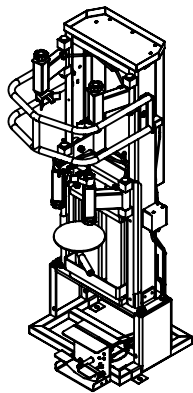
UNLESS OTHERWISE SPECIFIED:		NAME	DATE	
DIMENSIONS ARE IN INCHES TOLERANCES: FRACTIONAL $\pm 1/32"$ ANGLES: MACH $\pm .01^\circ$ BEND $\pm 1^\circ$ TWO PLACE DECIMAL $\pm .03$ THREE PLACE DECIMAL $\pm .025$		DRAWN	PJA 09/20/13	
INTERPRET GEOMETRIC TOLERANCING PER: ANSI Y14.5		CHECKED		TITLE:
MATERIAL ASSY		ENG APPR.		STRUT COMPRESSOR
FINISH -		MFG APPR.		SIZE DWG. NO. REV
DO NOT SCALE DRAWING		Q.A.		A DB-8000-XL B
		PROPRIETARY AND CONFIDENTIAL THE INFORMATION CONTAINED IN THIS DRAWING IS THE SOLE PROPERTY OF QSP. ANY REPRODUCTION IN PART OR AS A WHOLE WITHOUT THE WRITTEN PERMISSION OF QSP IS PROHIBITED.		SCALE: 1:18 WEIGHT: 189.709 SHEET 2 OF 6

AIR LINE ROUTING

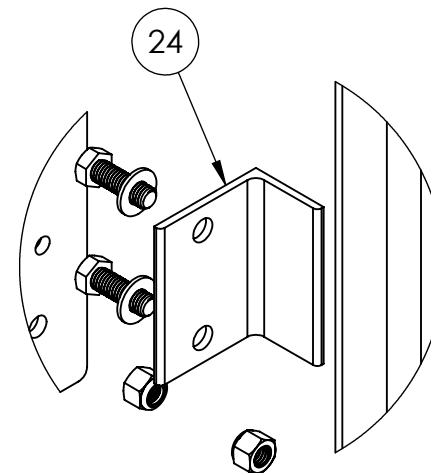
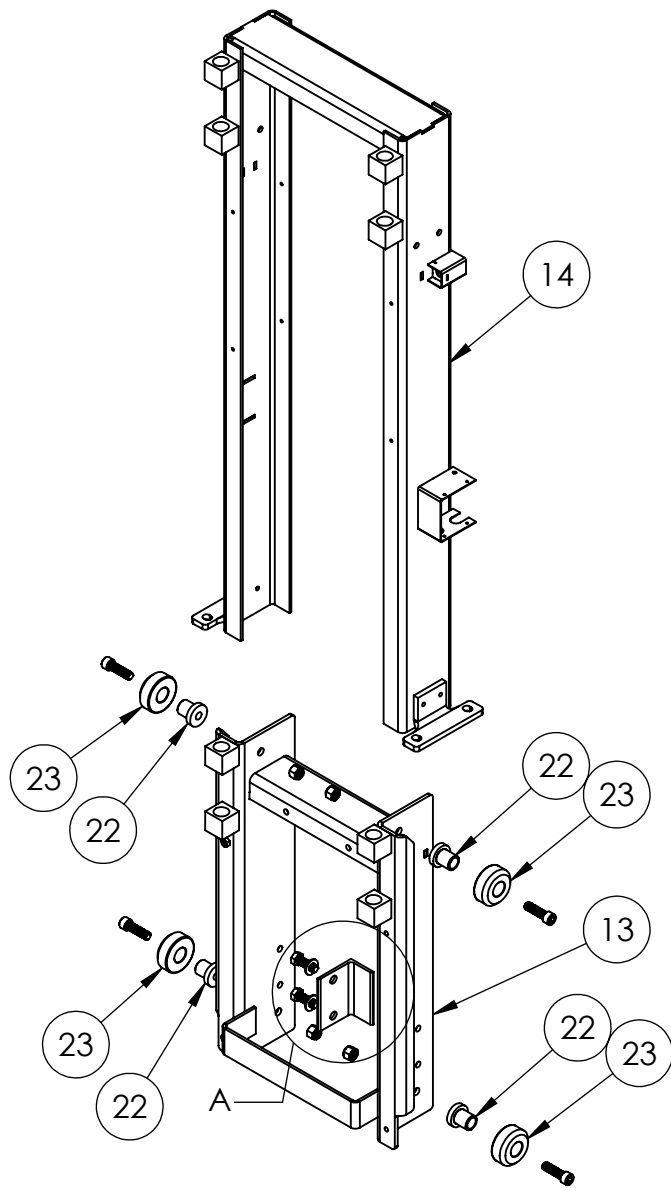
5/32" BLACK = PN T-5/32X16 K-NYL TUBE
 1/4" BLACK = PN T-1/4 PU BLACK TUBE



- 1 1/4 NPT X 5/32" TUBE RUN TEE
- 2 1/4 NPT X 5/32" TUBE ELBOW
- 3 1/4 NPT X 1/4" TUBE ELBOW
- 4 1/8 NPT X 5/32" TUBE ELBOW
- 5 3/4 NPTM X 1/4 NPTF REDUCING BUSHING




UNLESS OTHERWISE SPECIFIED:		NAME	DATE	QSP QUALITY STAINLESS PRODUCTS
DIMENSIONS ARE IN INCHES TOLERANCES: FRACTIONAL ± 1/32" ANGLES: MACH ± .01° BEND ± 1° TWO PLACE DECIMAL ± .03 THREE PLACE DECIMAL ± .025		DRAWN	PJA 09/20/13	
INTERPRET GEOMETRIC TOLERANCING PER: ANSI Y14.5		CHECKED		TITLE: STRUT COMPRESSOR
MATERIAL ASSY		ENG APPR.		
FINISH -		MFG APPR.		SIZE DWG. NO. REV
DO NOT SCALE DRAWING		Q.A.		A DB-8000-XL B
		PROPRIETARY AND CONFIDENTIAL		SCALE: 1:24 WEIGHT: 189.709 SHEET 3 OF 6
		THE INFORMATION CONTAINED IN THIS DRAWING IS THE SOLE PROPERTY OF QSP. ANY REPRODUCTION IN PART OR AS A WHOLE WITHOUT THE WRITTEN PERMISSION OF QSP IS PROHIBITED.		



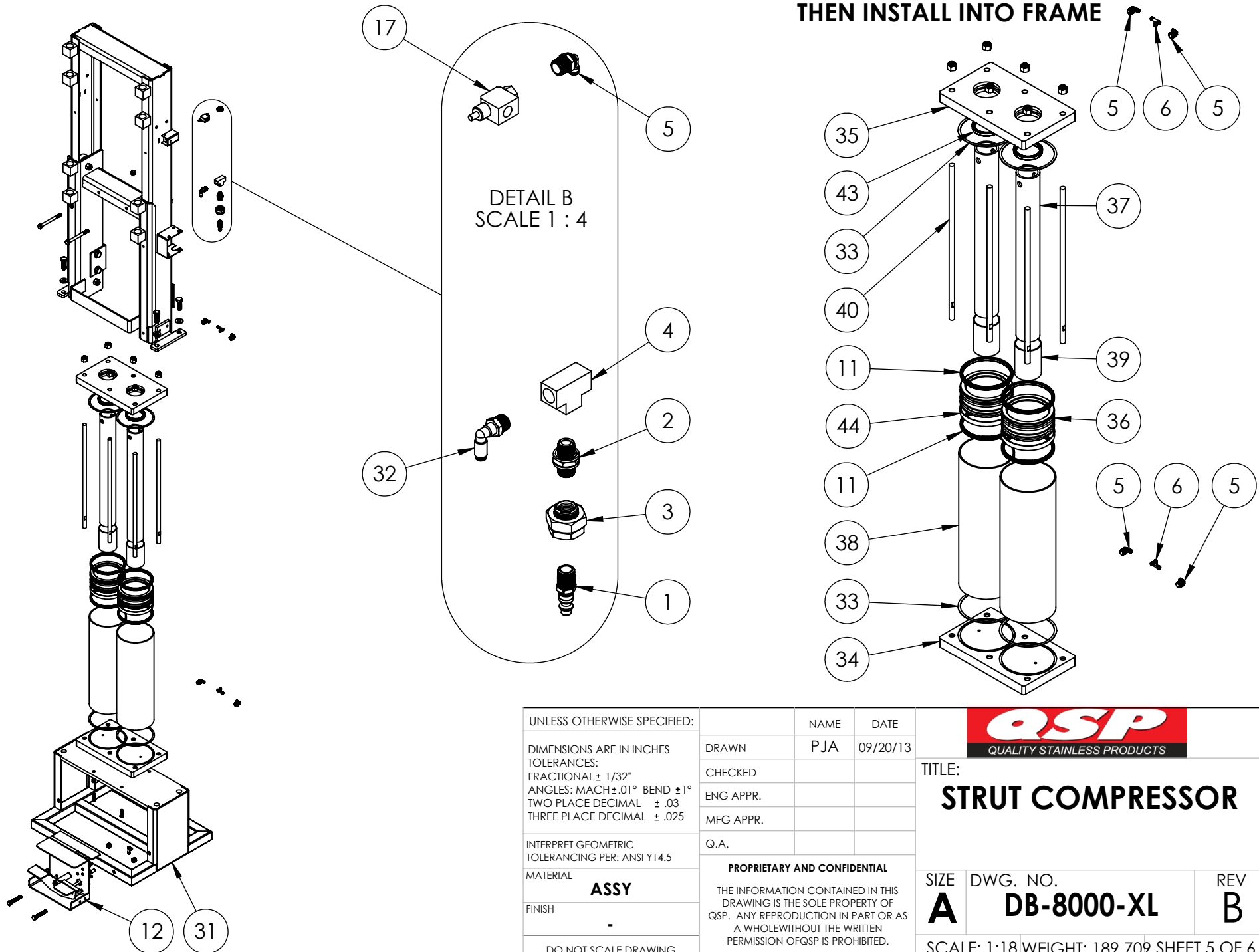
DETAIL A
SCALE 1 : 4

INSTRUCTION:

1. INSTALL ALL BEARINGS AND WHEELS (ITEMS #22 & 23) ONTO PART #13
2. INSERT ITEM #13 INTO FRAME (ITEM #14)
3. ATTACH REAR STOP BRACKETS (ITEM #24)

UNLESS OTHERWISE SPECIFIED:		NAME	DATE	
DIMENSIONS ARE IN INCHES TOLERANCES: FRACTIONAL $\pm 1/32"$ ANGLES: MACH $\pm .01^\circ$ BEND $\pm 1^\circ$ TWO PLACE DECIMAL $\pm .03$ THREE PLACE DECIMAL $\pm .025$		DRAWN	PJA 09/20/13	
INTERPRET GEOMETRIC TOLERANCING PER: ANSI Y14.5		CHECKED		TITLE:
MATERIAL		ENG APPR.		STRUT COMPRESSOR
FINISH		MFG APPR.		SIZE DWG. NO. REV
DO NOT SCALE DRAWING		Q.A.		A DB-8000-XL B
		PROPRIETARY AND CONFIDENTIAL THE INFORMATION CONTAINED IN THIS DRAWING IS THE SOLE PROPERTY OF QSP. ANY REPRODUCTION IN PART OR AS A WHOLE WITHOUT THE WRITTEN PERMISSION OF QSP IS PROHIBITED.		SCALE: 1:12 WEIGHT: 189.709 SHEET 4 OF 6

IT IS RECOMMENDED TO BUILD CYLINDER THEN INSTALL INTO FRAME

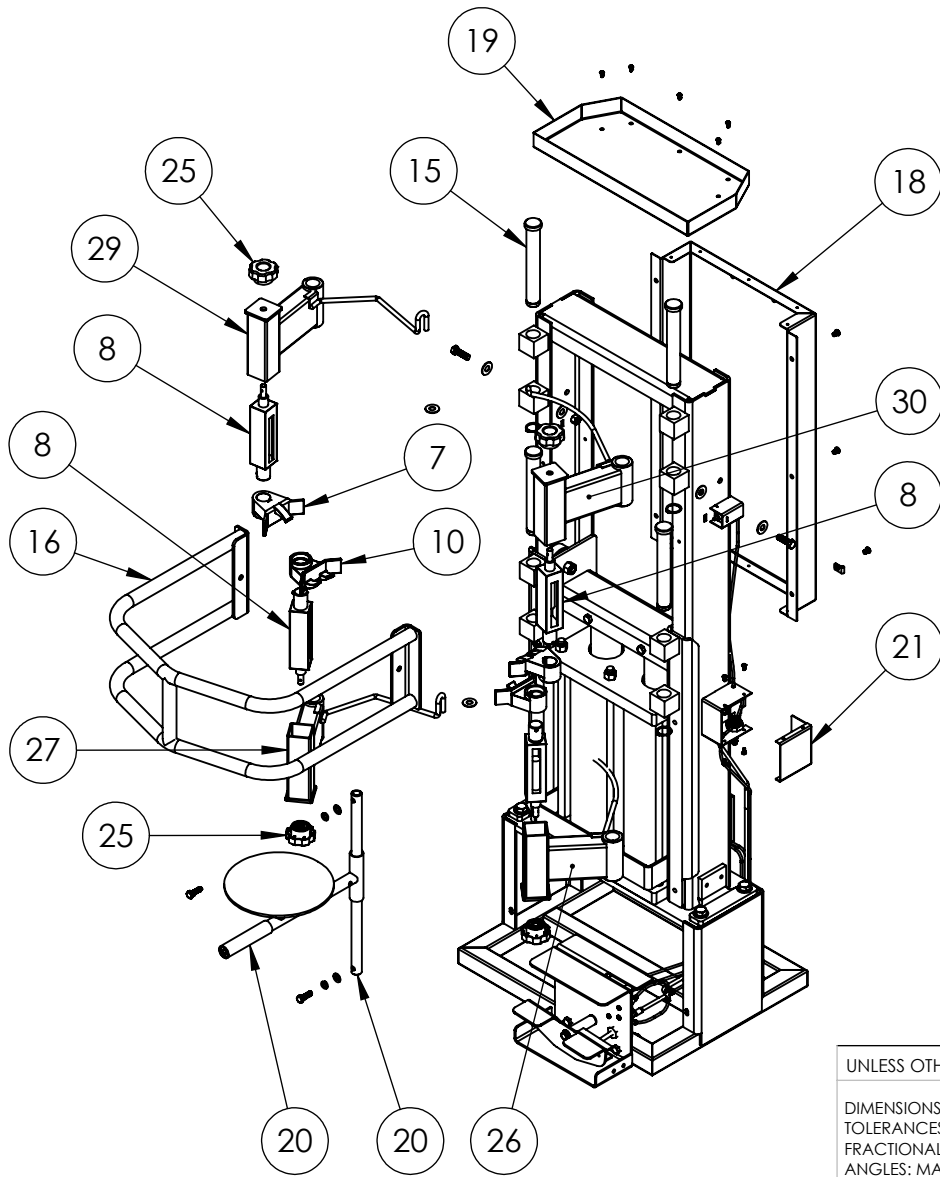


UNLESS OTHERWISE SPECIFIED:		NAME	DATE
DIMENSIONS ARE IN INCHES TOLERANCES: FRACTIONAL ± 1/32" ANGLES: MACH ± .01° BEND ± 1° TWO PLACE DECIMAL ± .03 THREE PLACE DECIMAL ± .025	DRAWN	PJA	09/20/13
INTERPRET GEOMETRIC TOLERANCING PER: ANSI Y14.5	CHECKED		
MATERIAL ASSY	ENG APPR.		
FINISH -	MFG APPR.		
DO NOT SCALE DRAWING	Q.A.		

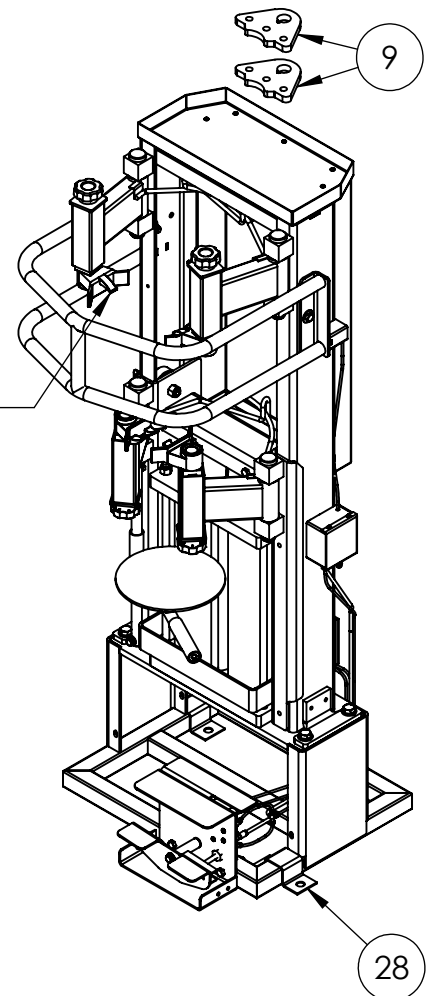
PROPRIETARY AND CONFIDENTIAL	
THE INFORMATION CONTAINED IN THIS DRAWING IS THE SOLE PROPERTY OF QSP. ANY REPRODUCTION IN PART OR AS A WHOLE WITHOUT THE WRITTEN PERMISSION OF QSP IS PROHIBITED.	




TITLE: STRUT COMPRESSOR		
SIZE A	DWG. NO. DB-8000-XL	REV B
SCALE: 1:18 WEIGHT: 189.709 SHEET 5 OF 6		



INSTALL SINGLE HOOK CLAW
AT TOP LEFT AND BOTTOM RIGHT
INSTALL DOUBLE HOOK CLAW
AT TOP RIGHT AND BOTTOM LEFT



UNLESS OTHERWISE SPECIFIED: DIMENSIONS ARE IN INCHES TOLERANCES: FRACTIONAL $\pm 1/32"$ ANGLES: MACH $\pm .01^\circ$ BEND $\pm 1^\circ$ TWO PLACE DECIMAL $\pm .03$ THREE PLACE DECIMAL $\pm .025$ INTERPRET GEOMETRIC TOLERANCING PER: ANSI Y14.5 MATERIAL ASSY FINISH - DO NOT SCALE DRAWING	DRAWN PJA	NAME PJA	DATE 09/20/13				
	CHECKED	ENG APPR.	MFG APPR.		TITLE: STRUT COMPRESSOR		
	Q.A.	PROPRIETARY AND CONFIDENTIAL THE INFORMATION CONTAINED IN THIS DRAWING IS THE SOLE PROPERTY OF QSP. ANY REPRODUCTION IN PART OR AS A WHOLE WITHOUT THE WRITTEN PERMISSION OF QSP IS PROHIBITED.			SIZE A	DWG. NO. DB-8000-XL	REV B
	SCALE: 1:14			WEIGHT: 189.709	SHEET 6 OF 6		