
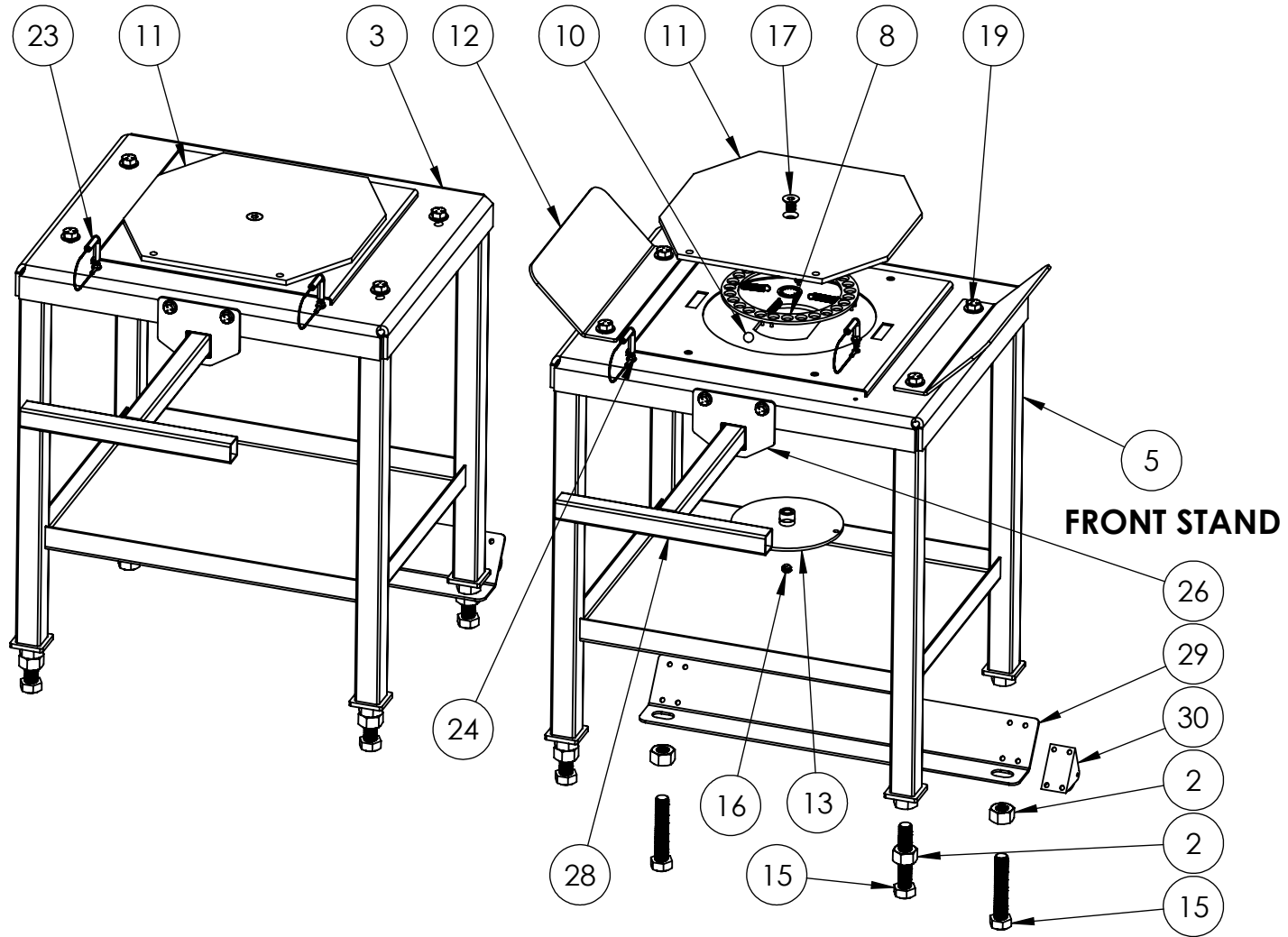


ITEM NO.	PART NUMBER	DESCRIPTION	QTY
1	1-101	HANDLE RECEIVER	4
2	1-102	HANDLE WELDMENT	4
3	1-103L	ANGLED WHEEL HOLDER, LONG SIDE	4
4	1-9461	CASTER	8
5	130-65	9/16 CELCON BALL	108
6	135-208	Lock Pin Assembly	8
7	41-13-C	OCTAGON TOP PLATE	4
8	41-43	BEARING RETAINER W/SPRINGS & WASHER	4
9	51-1754	6.5" ROUND MILD STEEL SLIDE	4
10	75-38	1/2-20 X 3/4 FHCS	4
11	75-39	1/2-20 SET SCREW	4
12	DB-24-101	DB STAND MD FRONT	4
13	DB-24-113	WHEEL STOP	4
14	H-2520	1/4-20 X 1/2 HWHCS	8
15	H-3/4-10-Z-NUT	3/4-10 HEX NUT	16
16	H-75104	3/4-10 X 4 INCH HHCS	16
17	H-20-24W-AH	ALIGNMENT STAND HARDWARE KIT	1
18	H-DB-24-WSH	WHEEL STOP HARDWARE KIT FOR DB-24MD	4
20	1-SQR121014A	PLASTIC CAP FOR 1.25" SQ TUBE	8

**ONLY (1) FRONT & (1) REAR STAND SHOWN
FOR CLARITY**


UNLESS OTHERWISE SPECIFIED: DIMENSIONS ARE IN INCHES TOLERANCES: FRACTIONAL $\pm .03"$ ANGULAR: MACH $\pm .1$ BEND $\pm 1^\circ$ TWO PLACE DECIMAL $\pm .01$ THREE PLACE DECIMAL $\pm .005$ INTERPRET GEOMETRIC TOLERANCING PER: ANSI Y14.5 MATERIAL ASSEMBLY FINISH DO NOT SCALE DRAWING		NAME	DATE		
		DRAWN	CSG		03/05/19
		CHECKED			
		ENG APPR.			
		MFG APPR.			
		Q.A.			
	PROPRIETARY AND CONFIDENTIAL			TITLE: 28" ALIGNMENT STANDS	
	THE INFORMATION CONTAINED IN THIS DRAWING IS THE SOLE PROPERTY OF QSP. ANY REPRODUCTION IN PART OR AS A WHOLE WITHOUT THE WRITTEN PERMISSION OF QSP IS PROHIBITED.			SIZE DWG. NO. REV A DB-28 A	
	SCALE: 1:16	WEIGHT:	SHEET 1 OF 2		

REAR STAND



FRONT STAND

ONLY (1) FRONT & (1) REAR STAND SHOWN
FOR CLARITY

UNLESS OTHERWISE SPECIFIED: DIMENSIONS ARE IN INCHES TOLERANCES: FRACTIONAL $\pm .03$ " ANGULAR: MACH $\pm .1$ BEND $\pm 1^\circ$ TWO PLACE DECIMAL $\pm .01$ THREE PLACE DECIMAL $\pm .005$ INTERPRET GEOMETRIC TOLERANCING PER: ANSI Y14.5 MATERIAL ASSEMBLY FINISH DO NOT SCALE DRAWING	DRAWN CSG	NAME CSG	DATE 03/05/19	
	CHECKED ENG APPR. MFG APPR.	Q.A.	TITLE: 28" ALIGNMENT STANDS	
	SIZE A	DWG. NO. DB-28	REV A	
	SCALE: 1:10	WEIGHT:	SHEET 2 OF 2	
	PROPRIETARY AND CONFIDENTIAL THE INFORMATION CONTAINED IN THIS DRAWING IS THE SOLE PROPERTY OF QSP. ANY REPRODUCTION IN PART OR AS A WHOLE WITHOUT THE WRITTEN PERMISSION OF QSP IS PROHIBITED.			