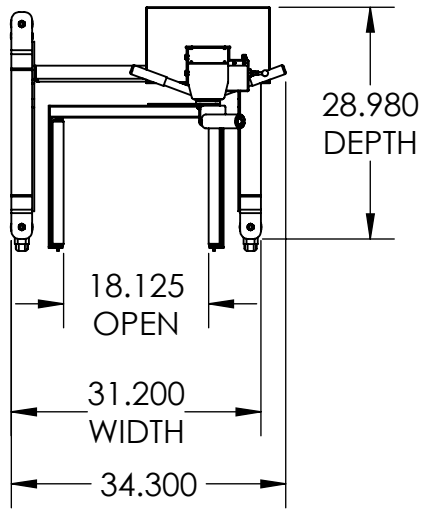
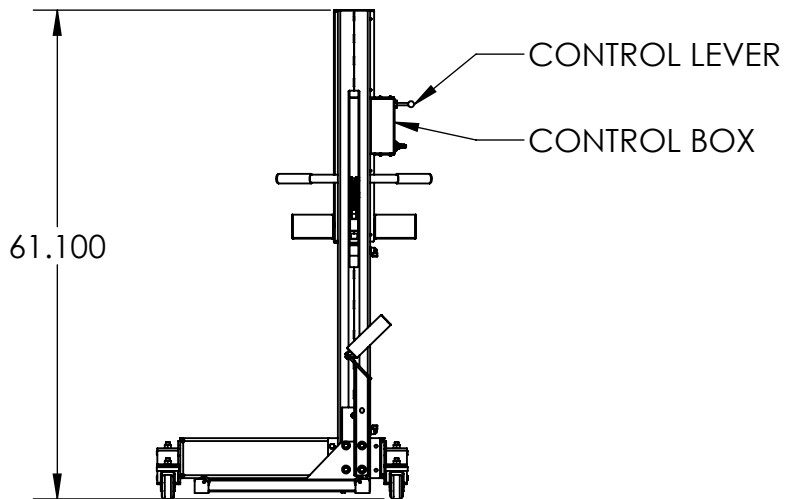
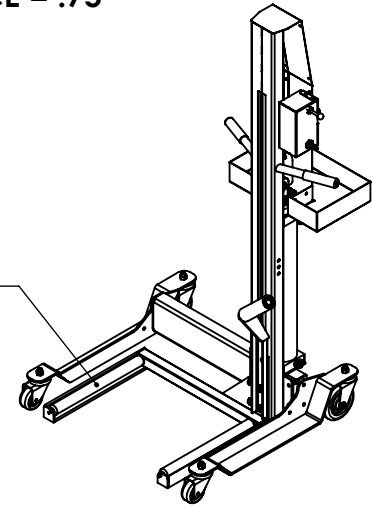


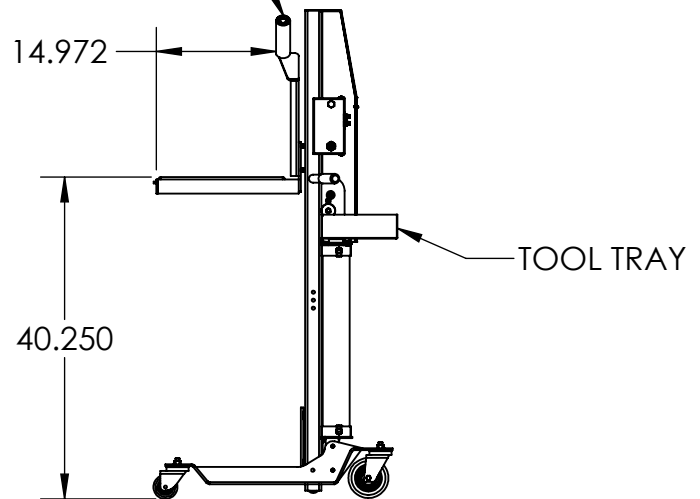
LIFTING CAPACITY = 200LBS
LIFTING STROKE = 39.500"
MINIMUM FLOOR CLEARANCE = .75"



LIFTING FORK
 WITH (2) TIRE
 ROLLERS



(1) FACE ROLLER



SHOWN AT RAISED HEIGHT



LM-200

LIFT MATE

PROPRIETARY AND CONFIDENTIAL

THE INFORMATION CONTAINED IN THIS
 DRAWING IS THE SOLE PROPERTY OF
 QSP. ANY REPRODUCTION IN PART OR AS
 A WHOLE WITHOUT THE WRITTEN
 PERMISSION OF QSP IS PROHIBITED.

SCALE: 1:24

5

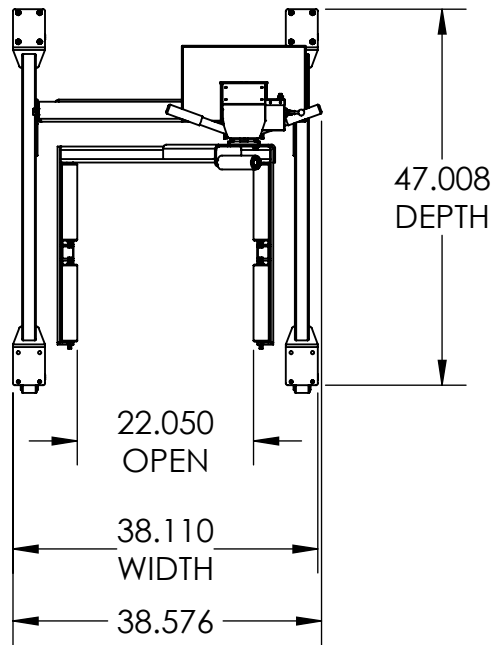
4

3

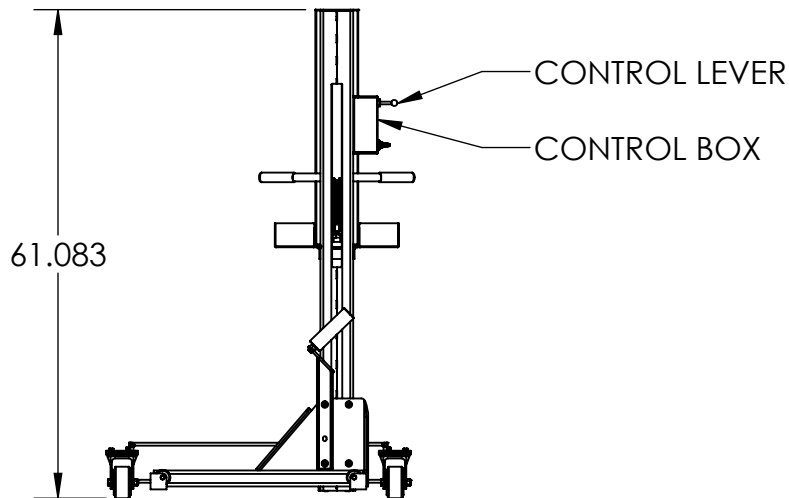
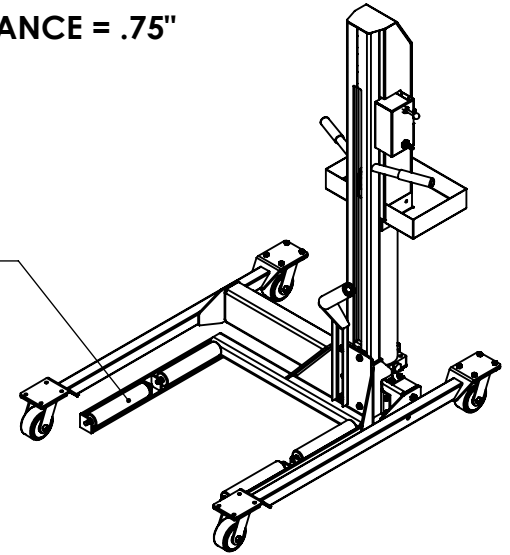
2

1

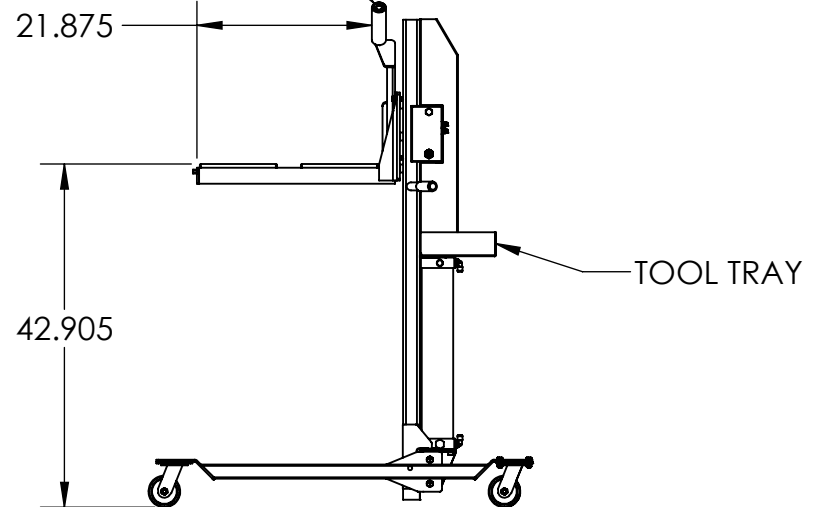
LIFTING CAPACITY = 350LBS
LIFTING STROKE = 42.125"
MINIMUM FLOOR CLEARANCE = .75"



LIFTING FORK
WITH (4) TIRE
ROLLERS



(1) FACE ROLLER



SHOWN AT RAISED HEIGHT



LM-350

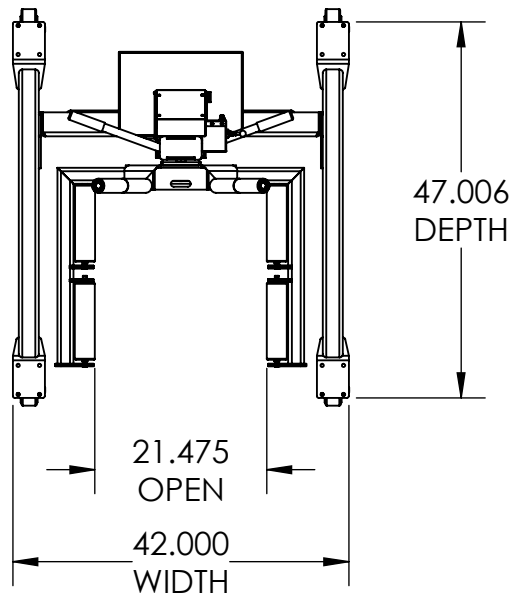
LIFT MATE

PROPRIETARY AND CONFIDENTIAL

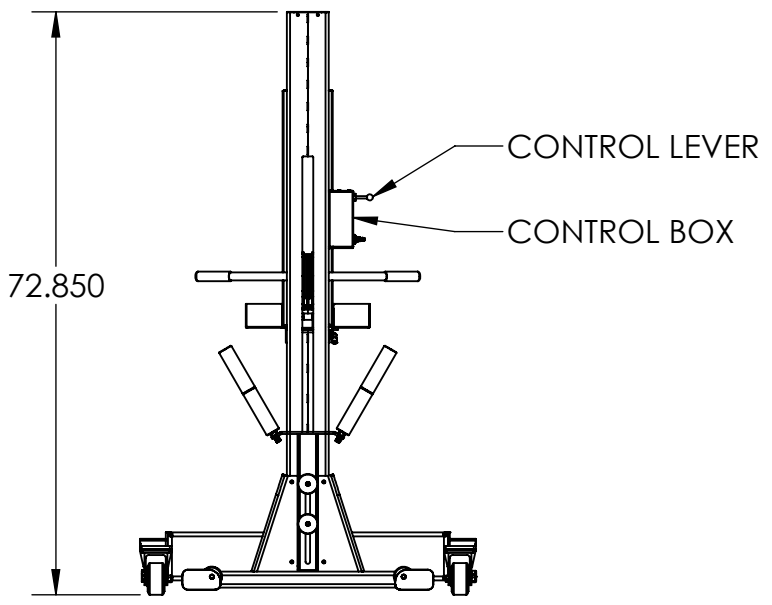
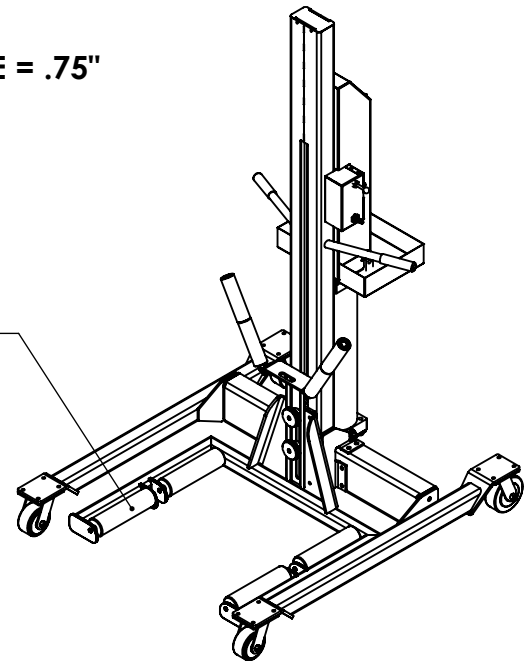
THE INFORMATION CONTAINED IN THIS
DRAWING IS THE SOLE PROPERTY OF
QSP. ANY REPRODUCTION IN PART OR AS
A WHOLE WITHOUT THE WRITTEN
PERMISSION OF QSP IS PROHIBITED.

SCALE: 1:24

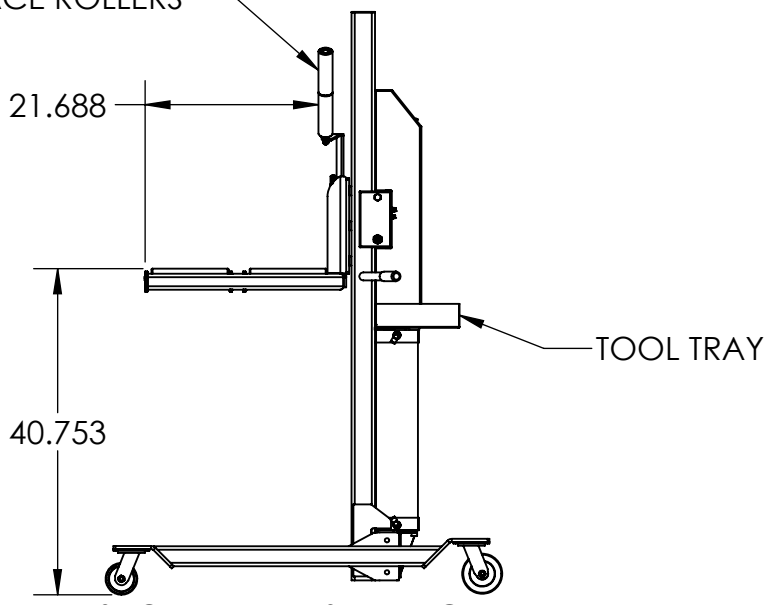
LIFTING CAPACITY = 500LBS
LIFTING STROKE = 40"
MINIMUM FLOOR CLEARANCE = .75"



LIFTING FORK
WITH (4) TIRE
ROLLERS



(4) FACE ROLLERS



SHOWN AT RAISED HEIGHT



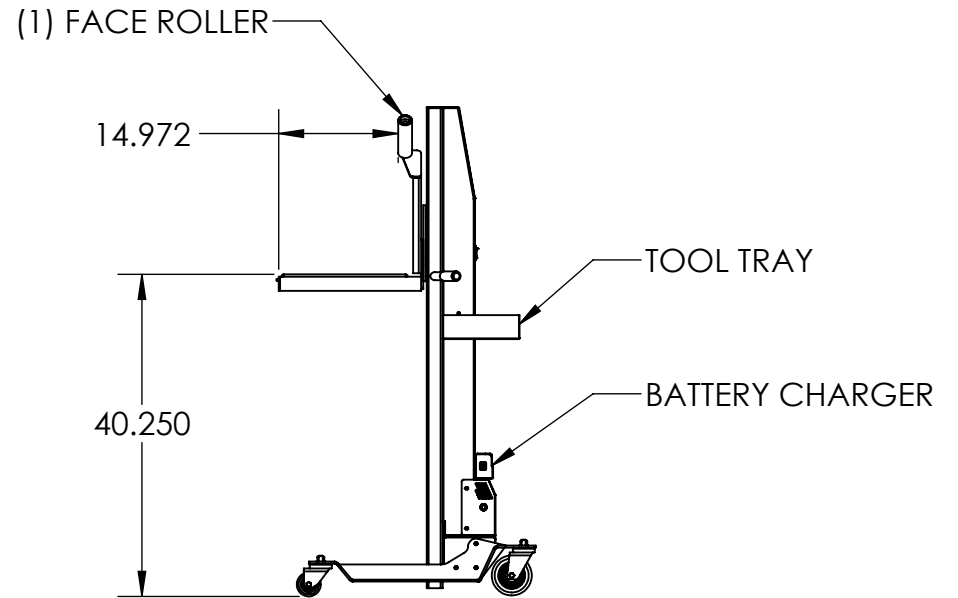
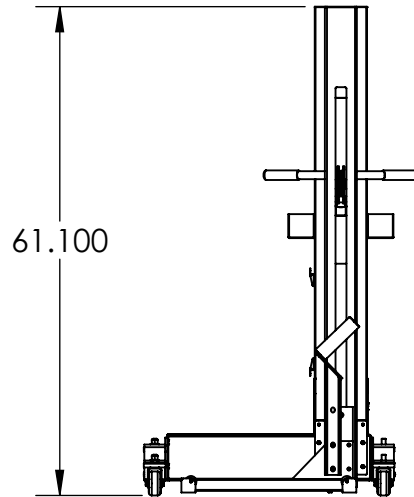
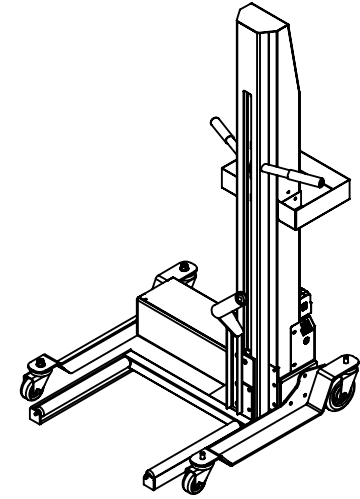
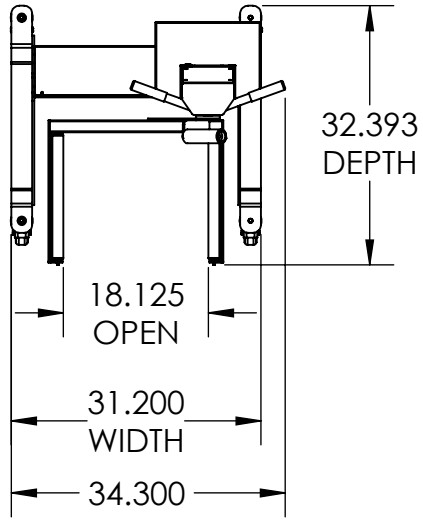
LM-500

LIFT MATE

PROPRIETARY AND CONFIDENTIAL
 THE INFORMATION CONTAINED IN THIS
 DRAWING IS THE SOLE PROPERTY OF
 QSP. ANY REPRODUCTION IN PART OR AS
 A WHOLE WITHOUT THE WRITTEN
 PERMISSION OF QSP IS PROHIBITED.

SCALE: 1:24

LIFTING CAPACITY = 200LBS
 LIFTING STROKE = 40.250"
 MINIMUM FLOOR CLEARANCE = .75"



SHOWN AT RAISED HEIGHT



LM-200-R2

RECHARGEABLE
LIFTMATE

PROPRIETARY AND CONFIDENTIAL

THE INFORMATION CONTAINED IN THIS
DRAWING IS THE SOLE PROPERTY OF
QSP. ANY REPRODUCTION IN PART OR AS
A WHOLE WITHOUT THE WRITTEN
PERMISSION OF QSP IS PROHIBITED.

SCALE: 1:24

5

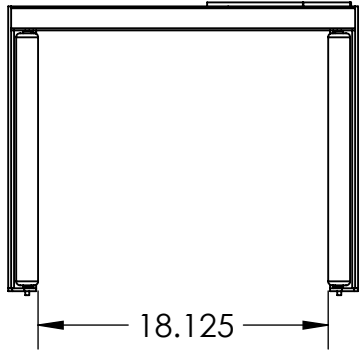
4

3

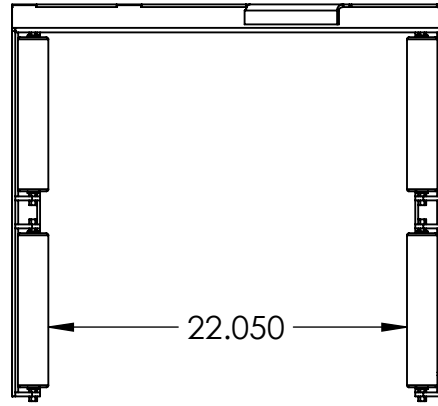
2

1

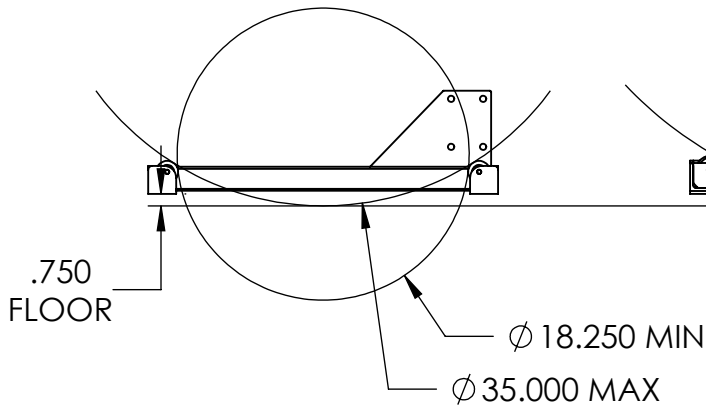
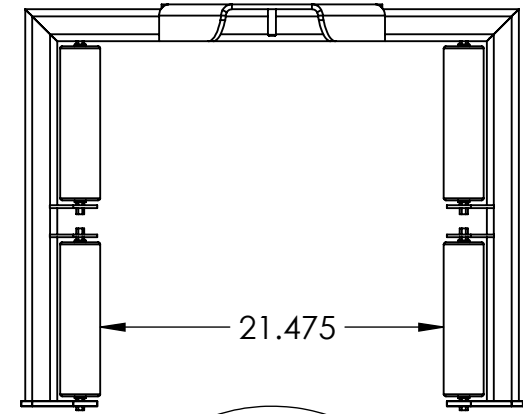
**LM-200
LM-200-R2**



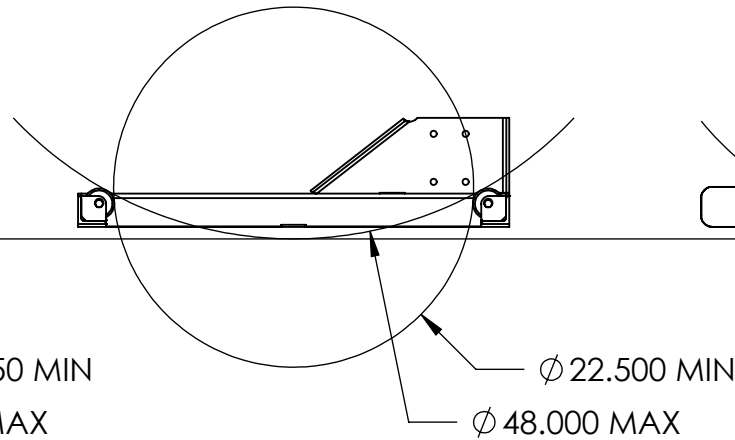
LM-350



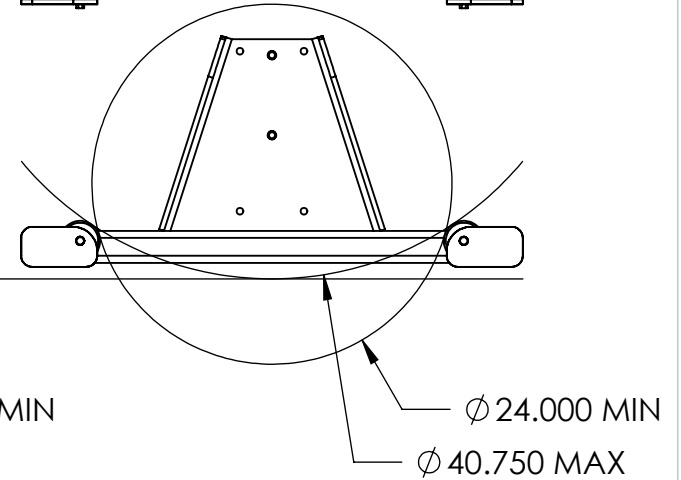
LM-500



TIRES AS SMALL AS 185/60R13
TIRES AS LARGE AS 315/70R18



TIRES AS SMALL AS 175/65R14
TIRES AS LARGE AS 48X12.5R16.5



TIRES AS SMALL AS 135/90R15
TIRES AS LARGE AS 40X15.5R28

**LARGEST TIRE LISTED WILL TOUCH THE GROUND WHEN LOWERED COMPLETELY
UNIT CAPACITY IS DEFINED BY WHEEL & TIRE WEIGHT, NOT DIAMETER**



**FORK
OVERVIEW**

LIFT MATE

PROPRIETARY AND CONFIDENTIAL

THE INFORMATION CONTAINED IN THIS
DRAWING IS THE SOLE PROPERTY OF
QSP. ANY REPRODUCTION IN PART OR AS
A WHOLE WITHOUT THE WRITTEN
PERMISSION OF QSP IS PROHIBITED.

SCALE: 1:12