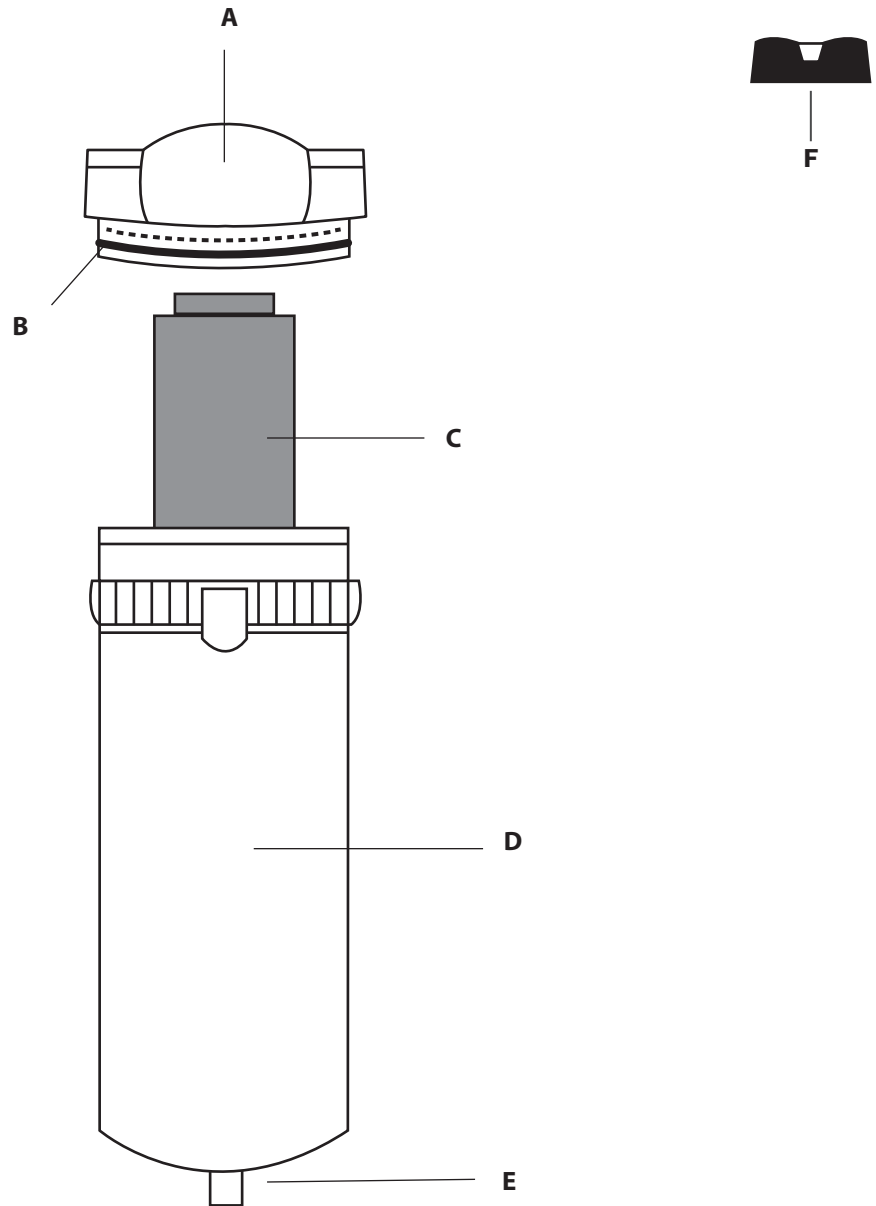


C106 / C106i Breakdown



Description	Part #	Description	Part #
A Replacement Head	WIL-063	D Bowl Assembly w/ Drain	N34-15-178
B Bowl O-ring	N32-95-256	E Automatic Drain	N32-95-979
C Replacement Element	3C-090	F Differential Pressure Ind. (C106i)	N32-W1-DPi

