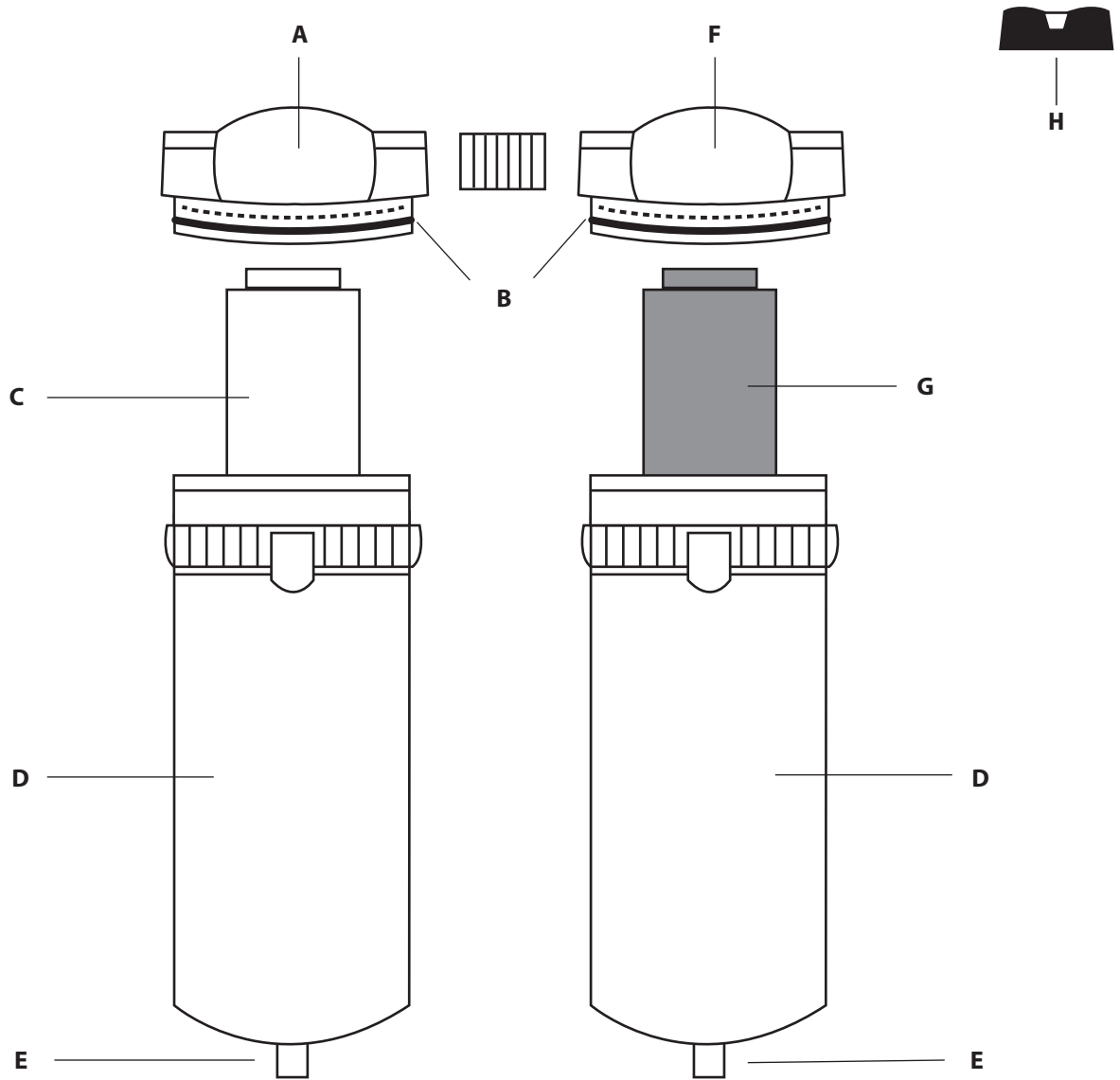


EX204-B / EX204i-B Breakdown



Description

Part

Description

Part

A	Replacement Head, 1st Stage (EX204-B)	WIL-040
A	Replacement Head, 1st Stage (EX204i-B)	WIL-059
B	Bowl O-ring	N32-95-257
C	Replacement Element, 1st Stage	1P-060
D	Bowl Assembly	N34-95-201

E	Automatic Drain	N32-95-979
F	Replacement Head, 2nd Stage	WIL-059
G	Replacement Element, 2nd Stage	3C-060
H	Differential Pressure Ind. (EX204i-B)	N32-W1-DPi



(800) 521-9200



www.driair.com | www.rti-pbe.com



@RTiPBE



@rti_pbe

