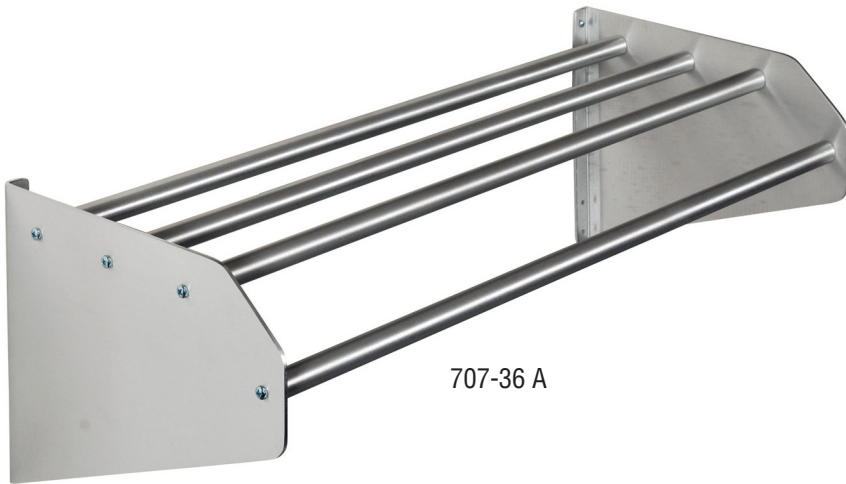
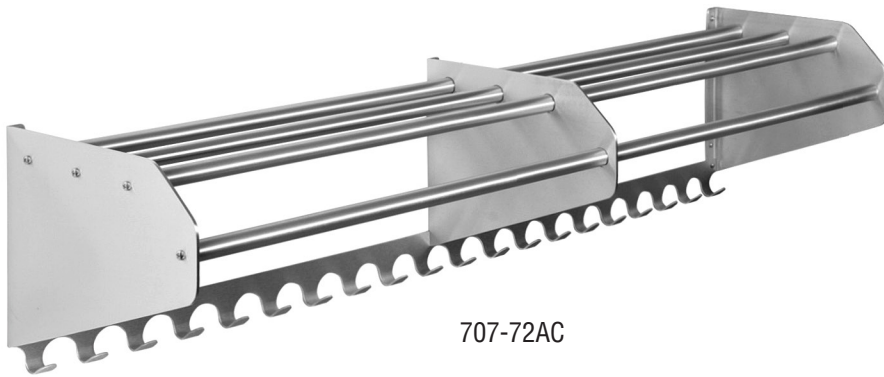




ALUMINUM WALL MOUNTED RACKS 707-A, 707-AC



707-36 A



707-72AC

Features and Benefits

- Professional strength coat and hat racks are wall mounted to save floor space and attractive enough to be used outside the closet walls
- Satin finish all aluminum construction is durable, light weight and corrosion resistant
- Top shelf allows for air flow to help prevent the formation of mites or molds frequently found in enclosed areas
- 60-72" models include additional center bracket for increased support
- Optional wall hook strip adds additional hanging space (add "C" to the end of part number)
- Easy to assemble and includes mounting hardware
- Available in 36", 48", 60", and 72" lengths
- Over 70% recycled material content



OVER 70%

Specifications

Item Number	W/ Wall Hook	Dimensions	Carton	Weight
707-36A	707-36AC	36" x 15" x 11.75"	37" x 14" x 3"	9-10 lbs
707-48A	707-48AC	48" x 15" x 11.75"	49" x 14" x 3"	10-11 lbs
707-60A	707-60AC	60" x 15" x 11.75"	61" x 14" x 3"	14-15 lbs
707-72A	707-72AC	72" x 15" x 11.75"	73" x 14" x 3"	15-16 lbs