



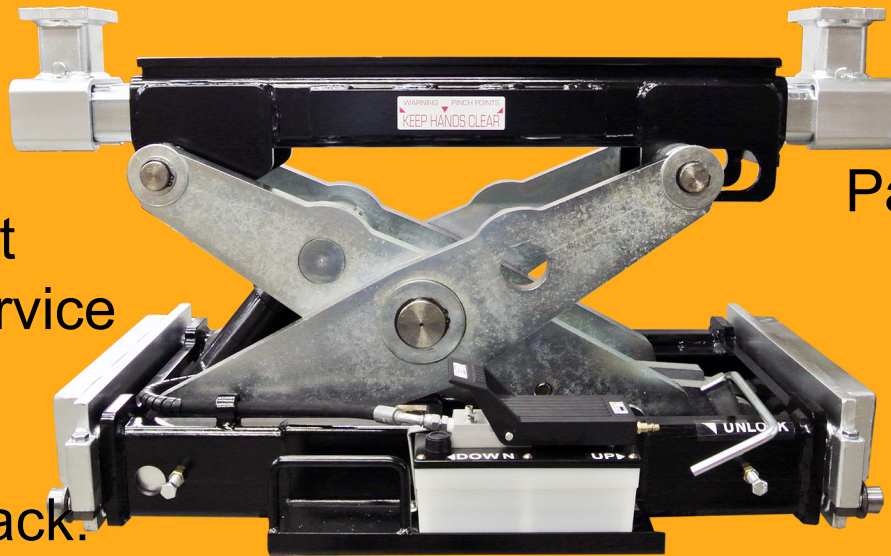
PIT JACKS

**SCORPION PJ35S**



## PJ35S

Turn your inspection pit or lube pit into a full service bay by adding our PJ35S Pit Jack.



Low profile  
Passable in the pit just duck underneath

### APPLICATIONS

Inspection Pits, Lube Pits  
Alignment Systems  
Ramp Systems  
Above Ground Lifts

### FEATURES

35,000 Lb. Cap  
Air/Hydraulic Scissor Design  
Multi-Level Lock  
Low and High Saddles  
Small Foot Print

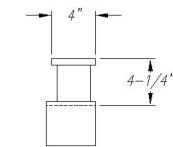
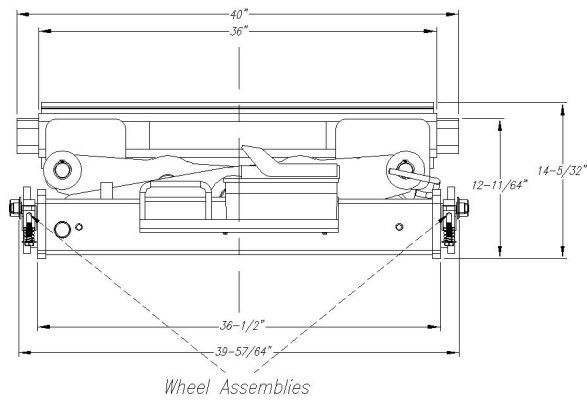
PIT JACKS



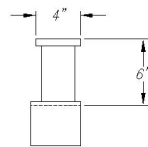
# SCORPION PJ35S

## SPECIFICATIONS

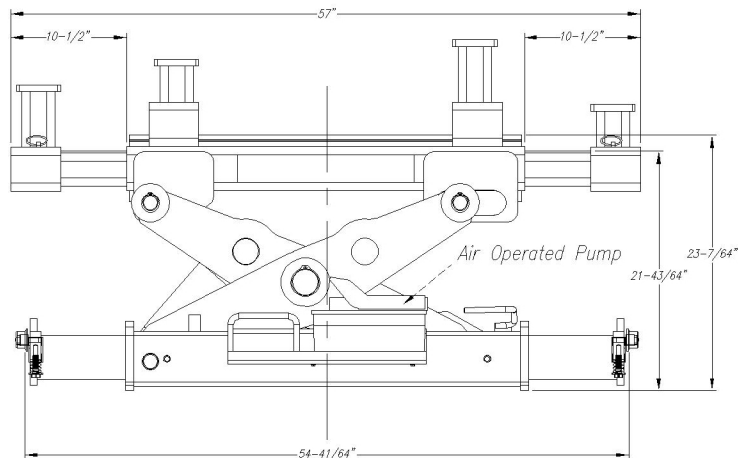
*Jack Closed with Arms Fully Retracted*



*Low Lifting Adaptor*



*High Lifting Adaptor*



*Jack Fully Raised with Arms extended*

STAN DESIGN