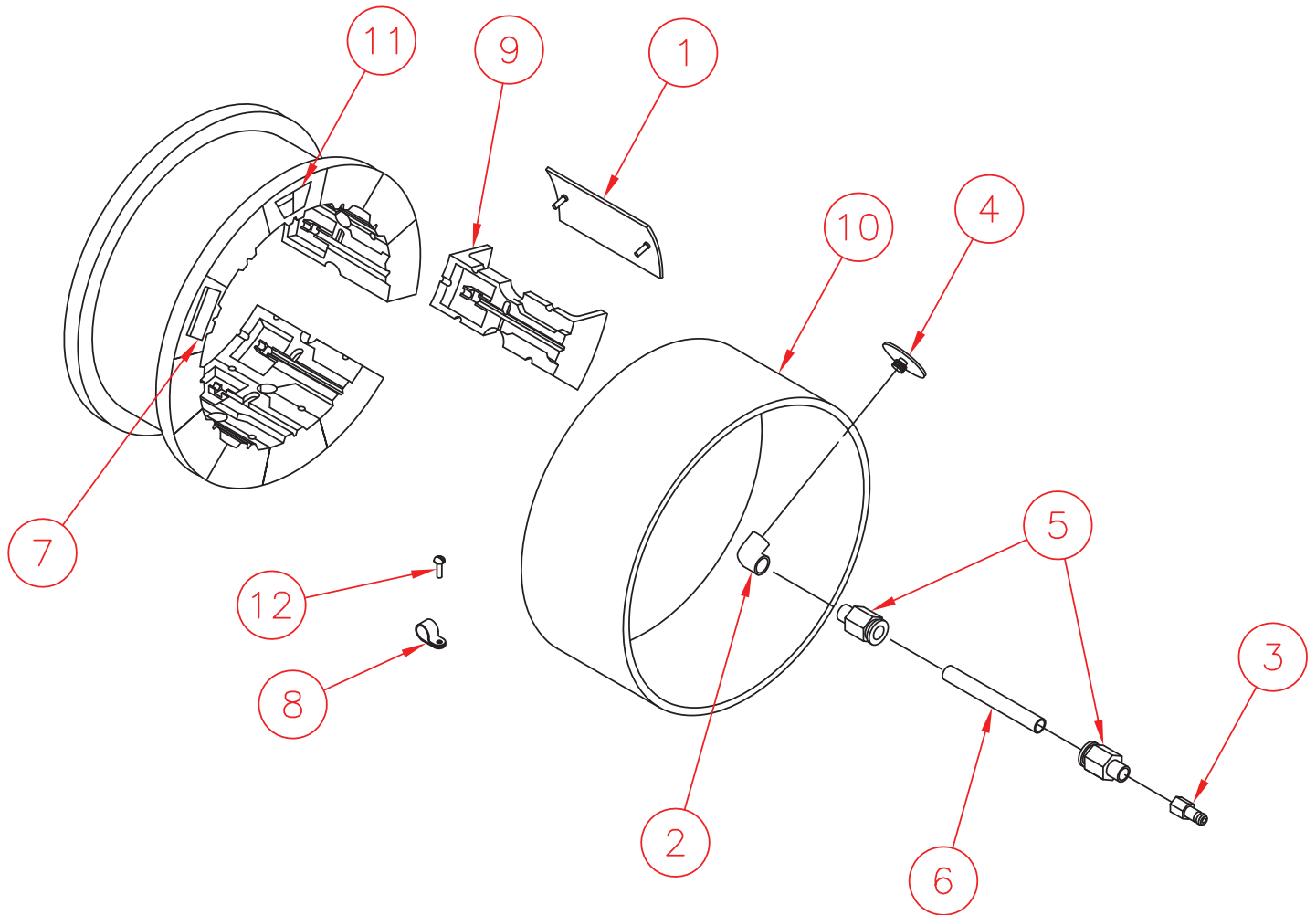


#13.410 EXPANDABLE RIM

02.20.2019



20" x 22.5" x 11.75"

REPAIR PARTS

No.	Description	Part No.	Qty.	No.	Description	Part No.	Qty.
1.	Slide Plate	5982	12	11.	Name Plate	10854	1
2.	Elbow Reducer 1/4 NPTF	1278	2	12.	Pan HD Slot #10-32 x 3/8	265.028	2
3.	Coupler, Male, 1/4 NPT Female	4980	2				
4.	End Nozzle	10002	2				
5.	Push Lock, Nylon 3/8 OD x 1/4 NPT	10054	2				
6.	Hose 3/8 OD x 5-1/2" LG	10080	2				
7.	Decal-Warning (Pinch Point)	10185	2				
8.	Clamp, Cable, Nylon 5/8	10680	2				
9.	Casting Section Alum-365	10761	12				
10.	Belt, Rubber	10765	1				

Order parts from your distributor or jobber.

When ordering parts always give the following information: Part number, description and serial number of your machine.

