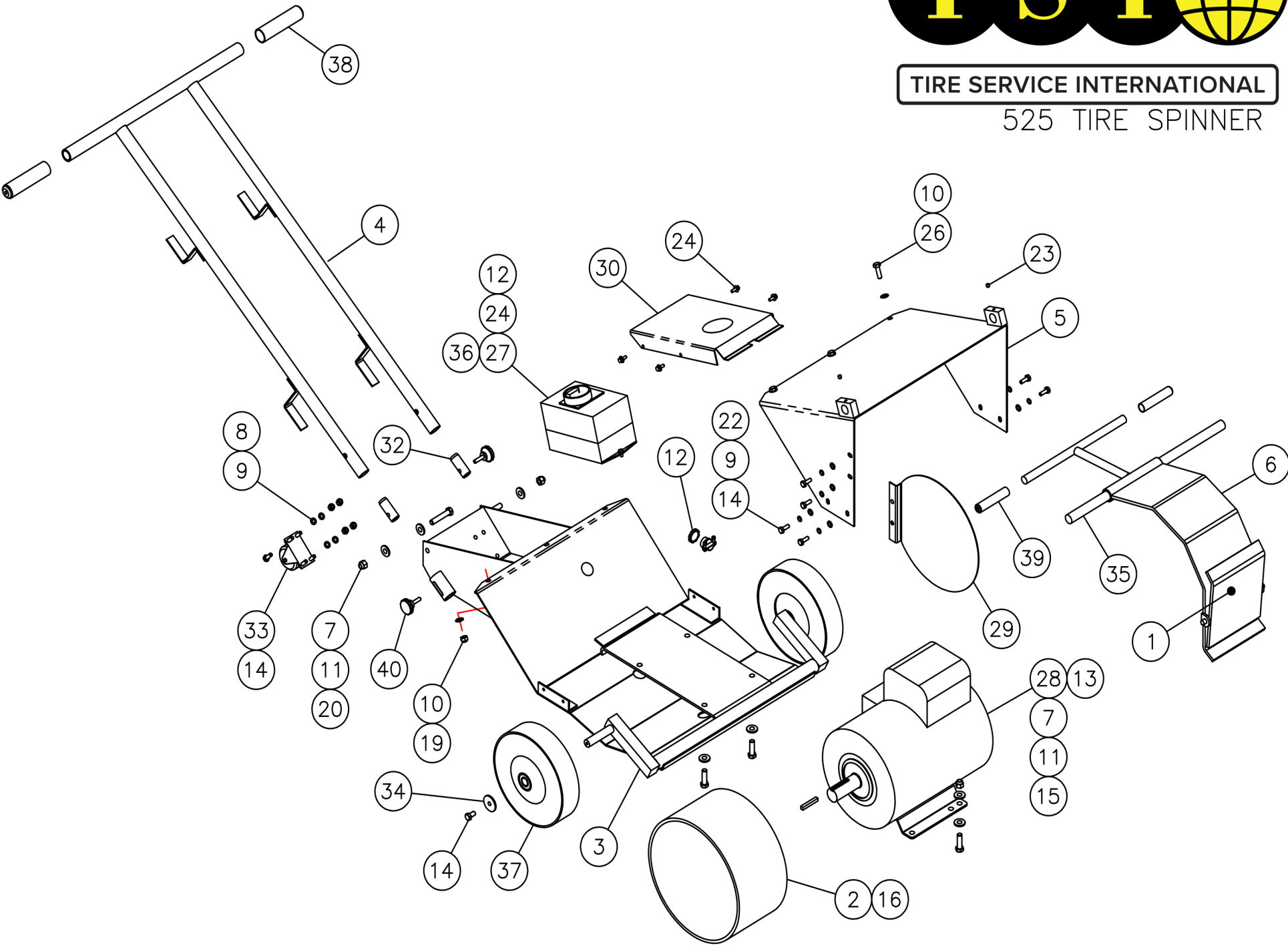




TIRE SERVICE INTERNATIONAL

525 TIRE SPINNER





# 525 TIRE SPINNER

## REPAIR PARTS BOM

2 of 2

PN: 0000

BEGINNING SERIAL NO.0000

### PARTS LIST

ITEM	PART NO.	DESCRIPTION	QTY
1	6251	BRAKE WELD	1
2	6255	WHEEL, ROLLER	1
3	6256	BASE, AXLE	1
4	6338	HANDLE, WELD	1
5	6357	FENDER COVER, WELD	1
6	6358	BRAKE, WHEEL STOP	1
7	212	NUT 3/8-16 HEX NYLOK	6
8	226	NUT 1/4-20 NYLOK	4
9	445	WASH 1/4 FLAT	10
10	566	NUT 5/16-18 NYLOK	3
11	700	WASHER 3/8 WROUGHT	10
12	705	ELEC FLEX CONNECT	4
13	804	WIRE NUT IDEAL #74 YELLOW	4
14	903	HHCS 1/4-20 X 3/4 GR2	12
15	1306	HHCS 3/8-16 X 1.0	8
16	1308	SHSS 3/8-16 X 5/16 CUP POINT	2
17	1318	WASHER 5/16 WROUGHT	3
18	1354	WASHER 3/8 LOCK	6
19	1819	SELF TAP 1/4-20 X 3/4 WASHER HEAD	4
20	3404	HHCS 3/8-16 X 2	2
21	3500	HHCS 3/8-16 X 1-1/2 GR5	4
22	4134	WASHER 1/4 SPRING LOCK PLATED	6
23	4241	SHSS 1/4-20 X 1/4 CUP POINT PLAIN	2
24	4569	HWHST #10-24 X 3/4 TYPE 23 PLATED	4
25	4782	DECAL - SAFETY GLASSES	1
26	4816	HWHST 5/16 X 3/4	1
27	10678	SWITCH, SINGLE PHASE	3
28	15048	MOTOR 5 HP, 3500 RPM, 208/230V 1PH	1
	15049	MOTOR 7-1/2 HP, 3500 RPM, 208-460V 3PH	REF
29	15080	COVER, ROLLER	1

### PARTS LIST

ITEM	PART NO.	DESCRIPTION	QTY
30	15081	COVER, CONTROLS	1
31	15160	DECAL - AMERMAC/STI LARGE	2
32	15251	SLIDE PIN, HANDLE	2
33	15254	WHEEL, ROLLER CASTER 2" OD	1
34	15329	WASHER, FENDER 3/8 X 1-1/2	2
35	15425	SHAFT, BRAKE BAR	1
36	15463	CORD 10/4 AWG	AR
37	15468	WHEEL, 8"OD X 2-1/2" WIDE	2
38	15469	HANDLE, RED GRIP, LARGE	2
39	15470	HANDLE, RED GRIP, SMALL	2
40	15471	KNOB, HANDLE - PIN	2
41		DECAL - MADE IN USA	1
42			
43			
44			
45			
46			
47			
48			
49			
50			
51			
52			
53			
54			
55			
56			
57			
58			
59			