

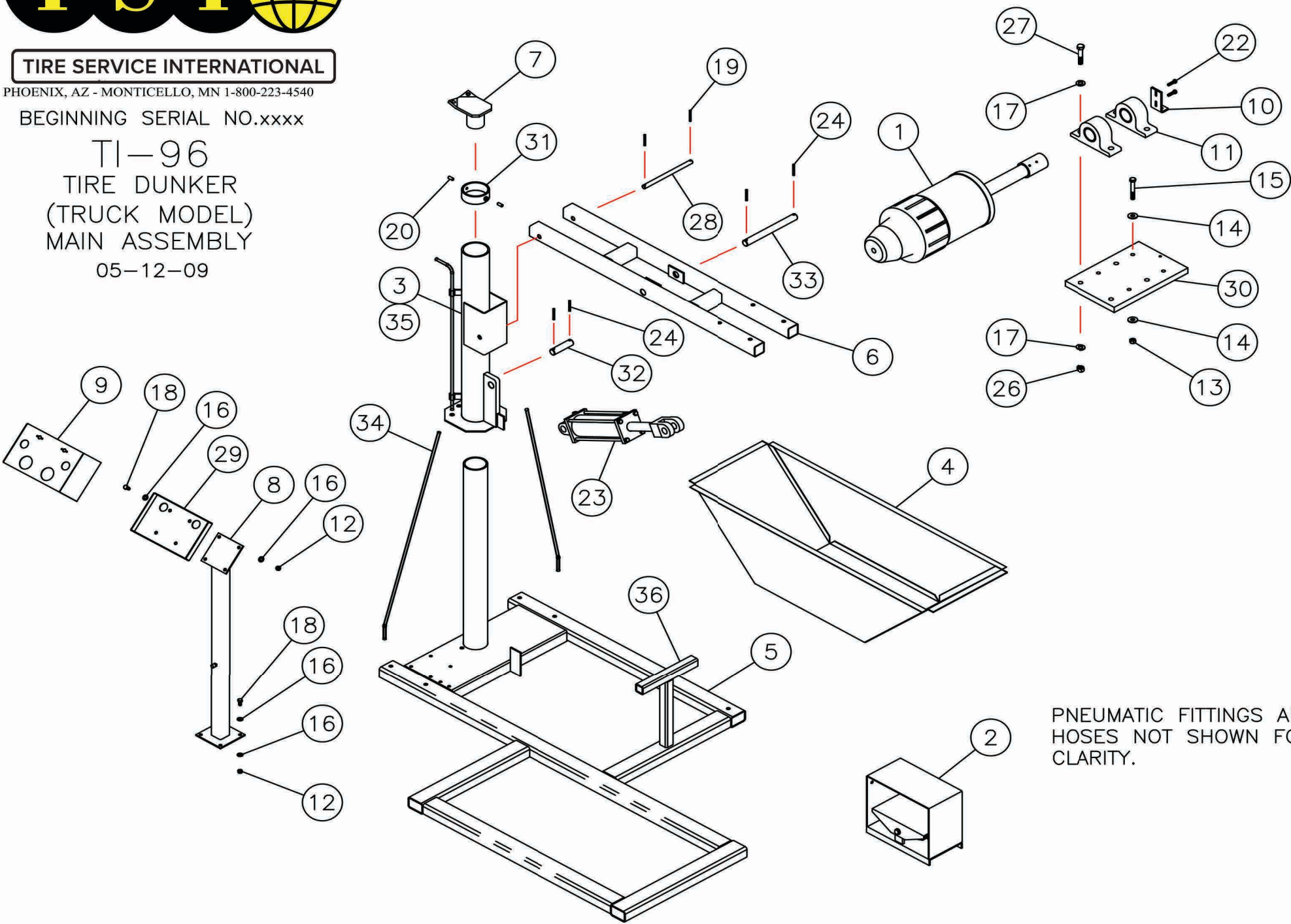


**TIRE SERVICE INTERNATIONAL**

PHOENIX, AZ - MONTICELLO, MN 1-800-223-4540

BEGINNING SERIAL NO.xxxx

TI-96  
TIRE DUNKER  
(TRUCK MODEL)  
MAIN ASSEMBLY  
05-12-09



PNEUMATIC FITTINGS AND HOSES NOT SHOWN FOR CLARITY.



# TIRE DUNKER (TRUCK MODEL)

## TI-96

REPAIR PARTS BOM

Page 1 of 1

PN: 0000

BEGINNING SERIAL NO.0000

5/19/2009

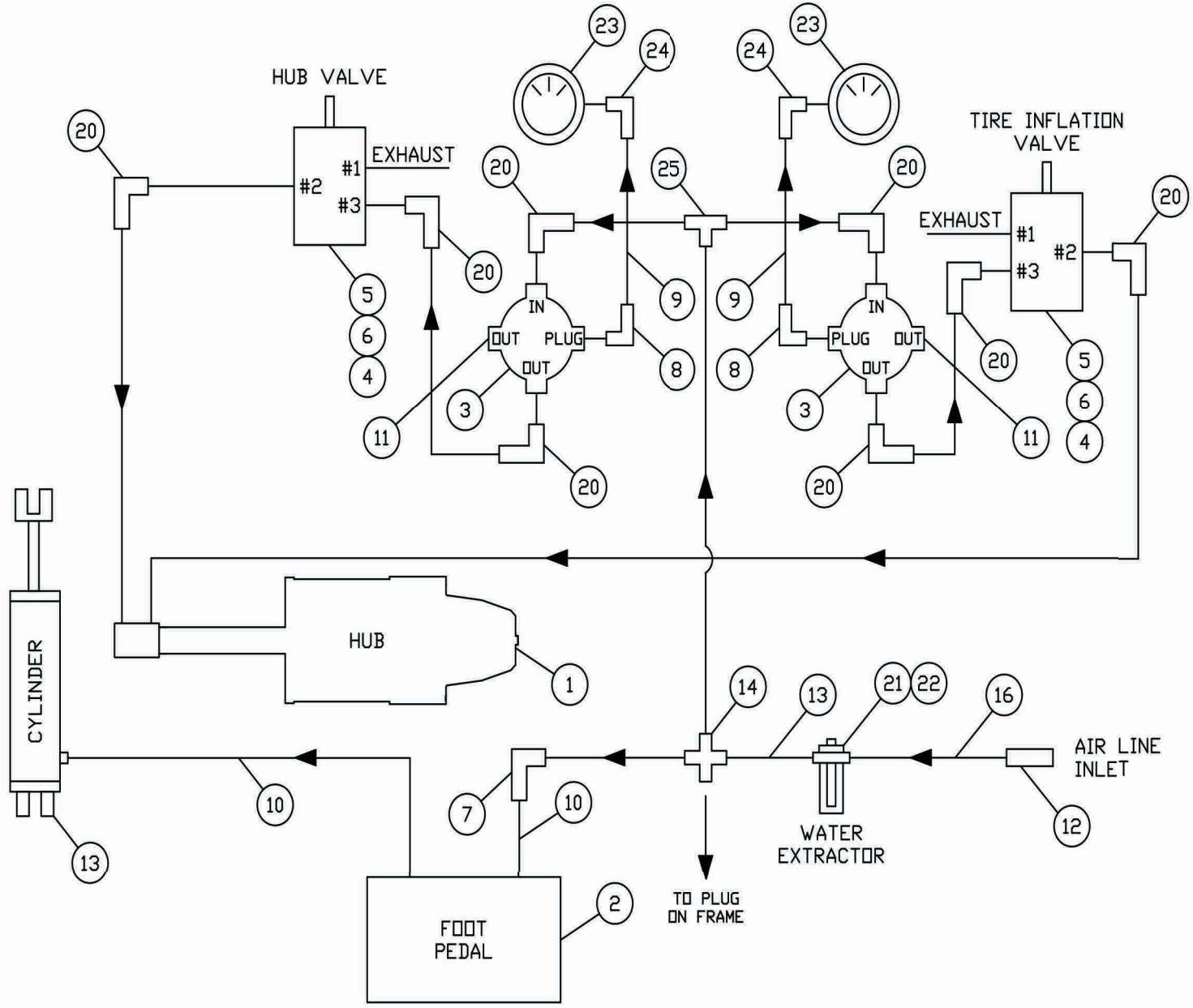
TIRE SERVICE INTERNATIONAL

### PARTS LIST

ITEM	PART NO.	DESCRIPTION	QTY
1	5840	EXPANDABLE HUB ASSY	1
2	5994	FOOT PEDAL ASSY	1
3	6224	TUBE SWIVEL WELD	1
4	6225	TANK WELD	1
5	6226	FRAME WELD ASSY	1
6	6227	LIFT ARM WELD	1
7	6229	EAR PLATE WELD	1
8	6230	CONTROL PANEL WELD	1
9	6231	PANEL, CONTROL BOX	1
10	32.878	BRACKET	1
11	91.107	BEARING, PILLOW BLOCK	2
12	212	NUT 3/8-16 SELF LOCK	8
13	223	NUT 1/2-13 HEX LOCK	4
14	224	WASHER 1/2 FLAT WROUGHT	8
15	443	HHCS 1/2-13 X 3-1/2	4
16	700	WASHER 3/8 FLAT WROUGHT	16
17	987	WASHER, 5/8 FLAT	8
18	1306	HHCS 3/8-16 X 1	8
19	1436	COTTER PIN 1/8 DIA X 1	2
20	1832	HHSS 3/8-16 X 1	2
21	3468	TRIM STRIP	AR
22	3478	HHCS 5/16-18 X 1-1/4	2
23	3639	CYLINDER - HYD SINGLE ACTING 3 X 8	REF
24	4460	SPRING PIN 1/4 DIA X 1-1/4 LG	4
25	4782	DECAL - SAFETY GLASSES	1
26	4836	NUT 5/8-11 HEX LOCK	4
27	10402	HHCS 5/8-11 X 3	4
28	12391	PIN, LIFT PIVOT	1
29	12398	PLATE, CONTROL BOX	1
30	12399	PLATE, HUB MOUNT	1

### PARTS LIST

ITEM	PART NO.	DESCRIPTION	QTY
31	12402	COLLAR, LOCK 3-1/2 DIA	1
32	12406	PIN, CYLNDER BOTTOM	1
33	12407	PIN, CYLINDER TOP	1
34	12418	BRACE, PEDISTAL ROD	2
35	12420	ROD, SWING LOCK	1
36	12426	PAD, RUBBER	1
37		MADE IN USA	1
38			
39			
40			
41			
42			
43			
44			
45			
46			
47			
48			
49			
50			
51			
52			
53			
54			
55			
56			
57			
58			
59			
60			



1. REMOVE ALL BURRS & SHARP EDGES.

NOTE:

1	UPDATE TO CURRENT	05-12-09
REV	DESCRIPTION	DATE

USED ON: TIRE DUNKER SHEET: 1 OF 1

THE SUBJECT OF THIS DRAWING IS SUBMITTED IN CONFIDENCE AND IT AND THE DRAWING WILL REMAIN THE PROPERTY OF TIRE SERVICE EQUIPMENT INC. AND ARE NOT TO BE USED WITHOUT ITS WRITTEN PERMISSION AND APPROVAL. © 2008	MATL:	DESIGNER: M. BECKER	SCALE: 1=1
	TOLERANCE UNLESS NOTED: DECIMALS ±.010 FRACTIONS ±1/32 ANGLES ±1/2°	DR. BY: M. BECKER	DATE: 5-15-06
		CH. BY:	INT:



PART NAME: TIRE DUNKER AIR LINE SCHEMATIC	QTY PER UNIT: 1
D DWG NO. 11893	



# TIRE DUNKER (TRUCK MODEL)

## TI-96

HYDRAULIC BOM

Page 1 of 1

PN: 0000

BEGINNING SERIAL NO.0000

01/18/2017

TIRE SERVICE INTERNATIONAL

### PARTS LIST

ITEM	PART NO.	DESCRIPTION	QTY
1	5840	EXPANDABLE HUB ASSY	REF
2	5994	FOOT PEDAL ASSY	REF
3	15.190	AIR REGULATOR	2
4	127.028	WASHER #10 INTERNAL TOOTH	4
5	252.190	VALVE	2
6	265.028	MACH SCR 8-32 X 3/8 RD HD	4
7	342.096	ELBOW 90 DEG 1/4 OD X 1/4 NPT	1
8	379.096	ELBOW 90 DEG 1/4 OD X 1/8 NPT	2
9	460.268-1	HOSE 1/4 OD X 6" LG	2
10	460.268-2	HOSE 1/4 OD X 32" LG	2
11	128	PLUG 1/4 NPT PIPE	2
12	730	COUPLING 1/4 NPT	1
13	778	CLOSE NIPPLE 1/4 NPT	1
14	911	PIPE CROSS 1/4 NPT	1
15	3639	CYLINDER - HYD SINGLE ACTING 3 X 8	1
16	4931	HOSE 1/4 ID X 14" LG	1
17	10080-1	HOSE 3/8 OD X 6" LG	2
18	10080-2	HOSE 3/8 OD X ___" LG	2
19	10080-3	HOSE 3/8 OD X ___" LG	2
20	10215	ELBOW PUSHLOK 3/8 X 1/4 NPT (M) X 90	9
21	10676	WATER EXTRACTER	1
22	10676-1	FILTER ELEMENT, WATER EXTRACTER	1
23	11554	GUAGE, PANEL MOUNT 0-200 PSI	2
24	11765	ELBOW 1/4 OD X 1/4 NPT 90 DEG	2
25	11884	TEE, PUSHLOK 3/8 OD	1
26		TEFLON TAPE	AR
27			
28			
29			
30			

### PARTS LIST

ITEM	PART NO.	DESCRIPTION	QTY
31			
32			
33			
34			
35			
36			
37			
38			
39			
40			
41			
42			
43			
44			
45			
46			
47			
48			
49			
50			
51			
52			
53			
54			
55			
56			
57			
58			
59			
60			